

PARTS LIST

[RC-BZ5LB/BZ5RD]
[RC-BZ6BU]

* All printed circuit boards and its assemblies are not available as service parts.

Areas suffix	
US -----	Singapore
UT -----	Taiwan
UX -----	Saudi Arabia
UY -----	Argentina
UZ---	Production Country Origin
U -----	Other Areas

- Contents - [RC-BZ5LB/BZ5RD]

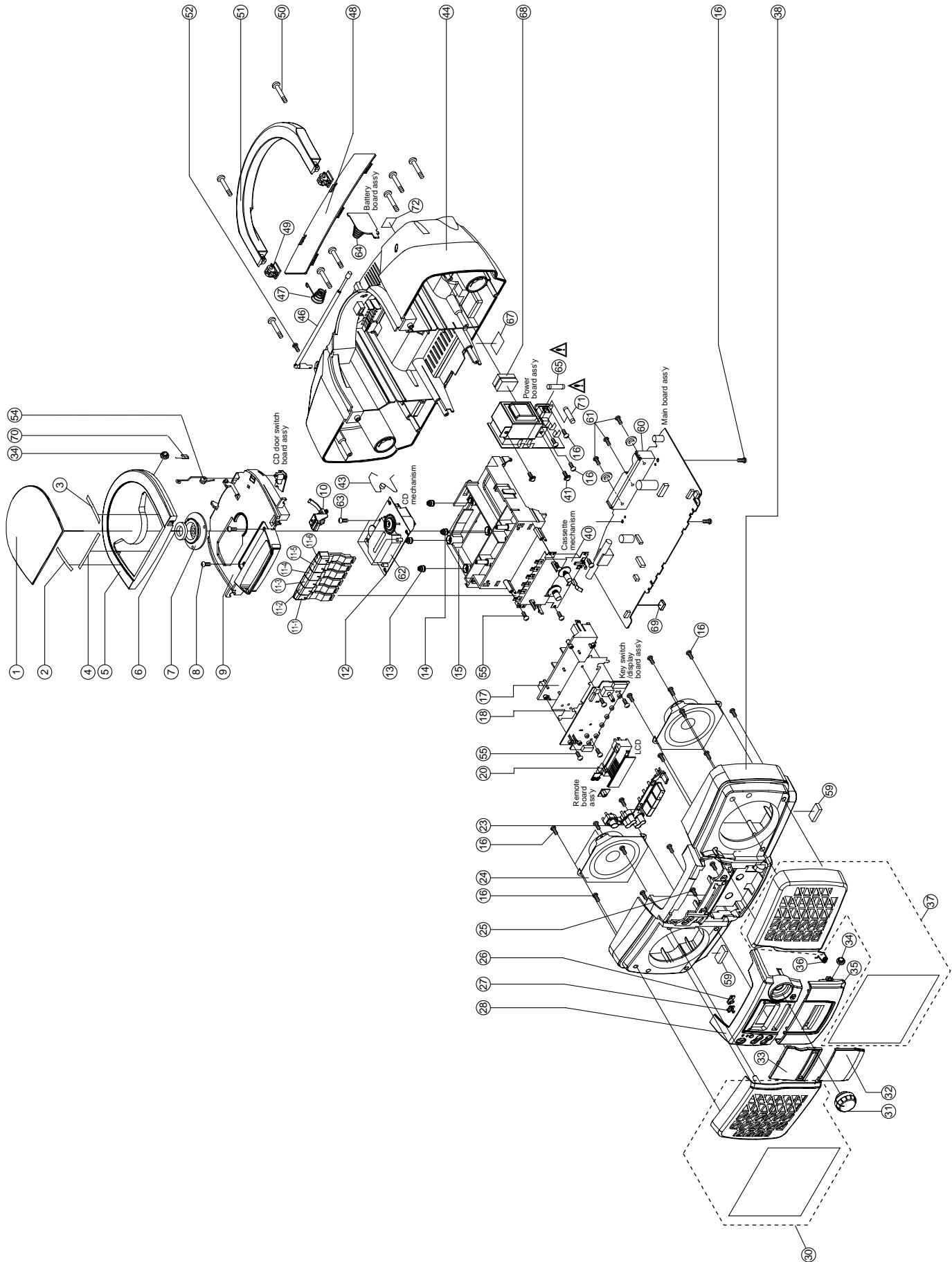
Exploded view of general assembly and parts list	3-2
Cassette mechanism assembly and parts list	3-4
CD mechanism assembly and parts list	3-6
Electrical Parts List	3-7
Packing materials and accessories parts list	3-13

- Contents - [RC-BZ6BU]

Exploded view of general assembly and parts list	3-14
Cassette mechanism assembly and parts list	3-16
CD mechanism assembly and parts list	3-18
Electrical Parts List	3-19
Packing materials and accessories parts list	3-25

Exploded view of general assembly and parts list

Block No. M 1 M M



■ Parts list (General assembly)

Block No. M1MM

△	Item	Parts number	Parts name	Q'ty	Description	Area
	1	GJ460340500101	LENS CD DOOR	1	RC-BZ5RD	
		GJ460340210101	LENS CD DOOR	1	RC-BZ5LB	
	2	GJ670000010330	D.SPACER	1	65X3.5	
	3	GJ670000010340	D.SPACER	1	65X3.5	
	4	GJ670000010350	D.SPACER	1	110X3.0	
	5	GJ460340120101	DOOR CD	1		
	6	VYH7313-005	MAGNET	1		
	7	LV30175-001A	CLAMPER	1		
	8	GJ702224301242	SCREW TT3X12	2	FOR CD CASE	
	9	GJ460340160101	CD CASE	1		
	10	GJ460340020101	BUTTON	1	OPEN	
	11-1	GJ460340040101	BUTTON(A)MECHA.	1	PAUSE	
	11-2	GJ460340050101	BUTTON(B)MECHA.	1	STOP	
	11-3	GJ460340060101	BUTTON(C)MECHA.	1	FF	
	11-4	GJ460340070101	BUTTON(D)MECHA.	1	REW	
	11-5	GJ460340080101	BUTTON(E)MECHA.	1	PLAY	
	11-6	GJ460340090101	BUTTON(F)MECHA.	1	REC	
	12	-----	CD UNIT EXL-M7B	1	GJA1005002001C	
	13	E75609-001	INSULATOR	2	CD MECHA RED	
	14	E75609-002	INSULATOR	2	CD MECHA PURPLE	
	15	GJ460340170101	HOLDER CD	1		
	16	GJ702244301012	SCREW TT3X10	21	SPEAKE/MAIN PCB	
	17	GJ460340200101	HOLDER	1		
	18	GJ781000090101	SHIELD PLATE	1		
	20	GJ460340270101	HOLDER (1) LCD	1		
	23	GJ460340230101	FUNCTION KNOB	1		
	24	LE10010-005A	SPEAKER	2		
	25	GJ702244260812	SCREW TT2.6X8	2	COVER FRONT	
	26	GJ460340030101	LENS	1	REMOTE SENSOR	
	27	GJ460340260101	LENS	1	LED	
	28	GJ460340410101	FRONT COVER	1		
	30	GJ0001-SPGR	SPEAKER GRILLE	1	RC-BZ5RD SHIELD	
		GJ0003-SPGR	SPEAKER GRILLE	1	RC-BZ5LB SHIELD	
	31	GJ460340250101	VOLUME KNOB	1		
	32	GJ460340490101	C.DOOR LENS	1	RC-BZ5RD	
		GJ460340190101	C.DOOR LENS	1	RC-BZ5LB	
	33	GJ460340220101	FRONT LENS	1	RC-BZ5LB	
		GJ460340480101	FRONT LENS	1	RC-BZ5RD	
	34	VYH8007-001	GEAR DAMPER	2	DOOR	
	35	GJ460340180101	CASSETTE DOOR	1		
	36	LV40210-001A	DOOR SPRING	1		
	37	GJ0004-SPGR	SPEAKER GRILLE	1	RC-BZ5LB SHIELD	
		GJ0002-SPGR	SPEAKER GRILLE	1	RC-BZ5RD SHIELD	
	38	GJ460340010101	FRONT CABINET	1		
	40	-----	DECK MECHANISM	1	TN-21ZVC-1800	
	41	GJ702264301412	SCREW TT3X14	2		
	43	GJ711001340101	SPRING	1	ANT CONTACT	
	44	GJ460340360101	REAR CABINET	1		

■ Parts list (General assembly)

Block No. M1MM

△	Item	Parts number	Parts name	Q'ty	Description	Area
	46	TA46174	T.PICK ANTENNA	1		
	47	VYH5657-006	BATTERY SPRING	1	SIZE D	
	48	LV20082-001A	BATTERY COVER	1		
	49	VYH8008-001	HANDLE SUPPORTE	2		
	50	GJ702244304512	SCREW TT3X45	8		
	51	GJ460340150101	HANDLE	1		
	52	GJ701224300852	SCREW M3X8	1	T.ANTENNA	
	54	GJ711001330201	SPRING	1		
	55	GJ702244300812	SCREW TT3X8	8	DECK/KEY P.C.B.	
	59	GJ782000090101	FOOT RUBBER	2		
	60	LV30176-001A	HEAT SINK	1		
	61	GJ702224300812	SCREW	3	HEAT SINK	
	62	202-300002-00	CD COVER PLATE	1		
	63	GJ702224200642	SCREW TT2X6	4	CD COVER	
	64	VYH5483-001	BATTERY SPRING	1		
△	65	QMF51A2-3R15-S	FUSE	1	250V 3.15A F902	
	67	GJ560340160301	NAME PLATE	1	RC-BZ5LB	UX
		GJ560340160401	NAME PLATE	1	RC-BZ5LB	UT
		GJ560340160701	NAME PLATE	1	RC-BZ5RD	UX
		GJ560340160801	NAME PLATE	1	RC-BZ5RD	U,US,UY
		GJ560340160901	NAME PLATE	1	RC-BZ5RD	UT
		GJ560340160201	NAME PLATE	1	RC-BZ5LB	U,US,UY
	69	GJ761000200100	SPACER	1		
	70	GJ560340240101	GEAR SPRING	1		
△	71	QMF51E2-R40-J1	FUSE	1	250V 0.4A F901	
	72	GJ772001610202	LABEL	1		

■ Parts list (Cassette mechanism assembly)

Block No. M2MM

△	Item	Parts number	Parts name	Q'ty	Description	Area
	1	192114316T	BASE ASS'Y	1		
	2	19211409T	SWITCH ACTUATOR	1		
	3	19211408T	LOCK CAM	1		
	4	19211403T	REC BUTT.LEVER	1		
	5	19211419T	PLAY BUTT.LEVER	1		
	6	19211404T	REW BUTT. LEVER	1		
	7	19211405T	FF BUTTON LEVER	1		
	8	19211406T	STOP BUTT.LEVER	1		
	9	19211460T	PAUSE BUT.LEVER	1		
	10	19211413AT	SPRING	1	PAUSE LEVER	
	11	19211455T	PAUSE LEVER (E)	1		
	12	19211412T	SPRING	1	PAUSE LEVER	
	13	19211411T	PAUSE STOPPER	1		
	14	19211414T	TORSION SPRING	1		
	15	192101501T	CHASSIS ASS'Y	1		
	16	19211416T	TORSION SPRING	1		
	17	19211417T	TORSION SPRING	1		
	19	182101159T	E.KICK LEVER	1		
	20	19211420T	STOPPER	1		
	21	19211421T	TORSION SPRING	1	REC BUTTON	
	22	19211415T	TORSION SPRING	1	BUTTON LEVER	
	23	MSW-1541T	LEAF SWITCH	1	640101149T	
	24	18210150T	TENSION SPRING	1	PLAY BUTTON	
	25	19210311T	HEAD PANEL	1		
	26	19210304AT	HEAD BASE	1		
	27	19210309T	PANEL P SPRING	1		
	28	19210305T	MAGNET HEAD ARM	1		
	29	18210307T	AZIMUTH SPRING	1	AZIMUTH	
	30	19211418AT	SPRING	1		
	31	19210310T	MG ARM SPRING	1	MG ARM	
	32	192104309T	P.ROLLER ARM	1		
	35	19212604AT	SENSING LEVER	1		
	36	19212605T	TORSION SPRING	1	GEAR PLATE	
	37	192126502T	GEAR PLATE	1		
	38	19212602T	CAM GEAR	1		
	40	192107304T	R.F.CLUTCH	1		
	41	19210703T	REW/F.F.BELT	1		
	43	192109303T	FLYWHEEL ASS'Y	1		
	45	18211070T	F.FORWARD GEAR	1		
	46	18211099T	BACK TENSION SP	1		
	47	192105304T	S.REEL ASS'Y	1		
	48	192105303T	T.REEL ASS'Y	1		
	49	19210506T	SENSOR	1		
	51	18211289AT	MOTOR BRACKET	1		
	53	19211202T	COLLAR SCREW	2	SP MOTOR 3X6	
	54	19211201T	MOTOR PULLEY	1		
	55	19210904T	MAIN BELT	1		
	56	19211203T	MB SCREW	1	SP MB 2X	

■ Parts list (Cassette mechanism assembly)

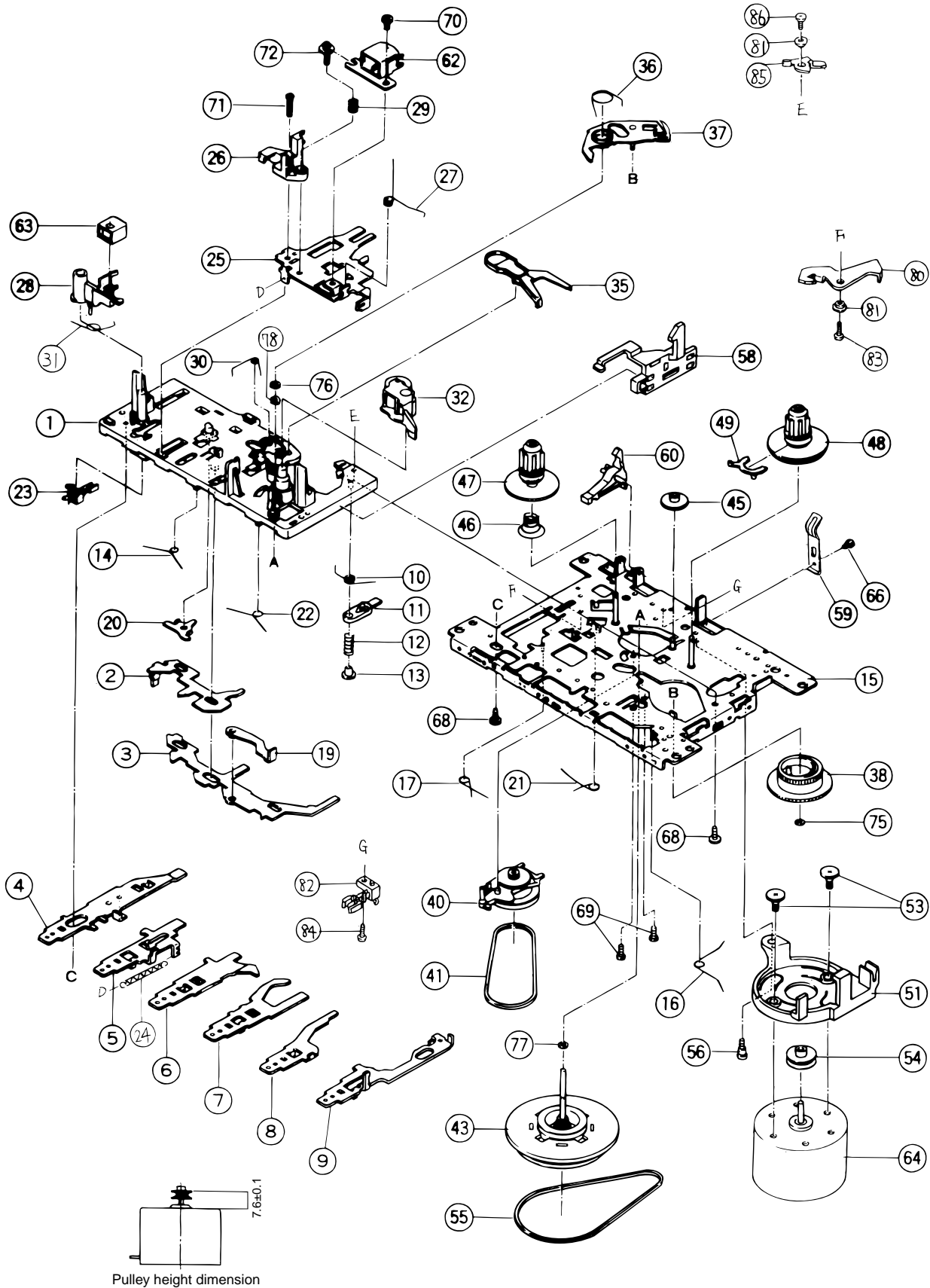
Block No. M2MM

△	Item	Parts number	Parts name	Q'ty	Description	Area
	58	19211301T	EJ.SLIDE LEVER	1		
	59	182111093T	PACK SPRING	1	GJ711000820103	
	60	18211069T	REC.SAF.LEVER	1		
	62	MS15R-AA2N1	R/P.HEAD	1		
	63	PH-K380-MS1-6A	ERASE HEAD	1	GJ382070110003	
	64	60020217T	MOTOR	1		
	66	9P0420031T	TAPPING SCREW	1	PACK SPRING	
	68	9B1020051T	TAPPING SCREW	2	(2X5)	
	69	9C0720451T	TAPPING SCREW	2	(2X4.5)	
	70	9B0120031T	SCREW (+) BIND	1	(2X3)	
	71	9P0120061T	SCREW	1	(2X6)	
	72	9F0820071T	SCREW AZIMUTH	1	(2X7)	
	75	9W0230010T	P.CUT WASHER	1	(12X3.8X0.3)	
	76	9W0250010T	P.CUT WASHER	1	(1.45X3.8X0.5)	
	77	9W0140010T	P.CUT WASHER	1	(2X3.5X0.4)	
	78	9W0113020T	P.CUT WASHER	1	(2X3.5X0.4)	
	80	19210201T	REC ARM	1		
	81	19211437T	P ARM COLLAR	2		
	82	64010138T	LEAF SWITCH	1		
	83	9P0420041T	C TAPPING SCREW	1	(2X4)	
	84	9P0420051T	C TAPPING SCREW	1	(2X5)	
	85	19211434T	P.ROLLER ARM	1		
	86	9P0820301T	PA TAPPIN.SCREW	1	(2X3)	

Cassette mechanism assembly and parts list

TN-21ZVC-1800

Block No. M 2 M M

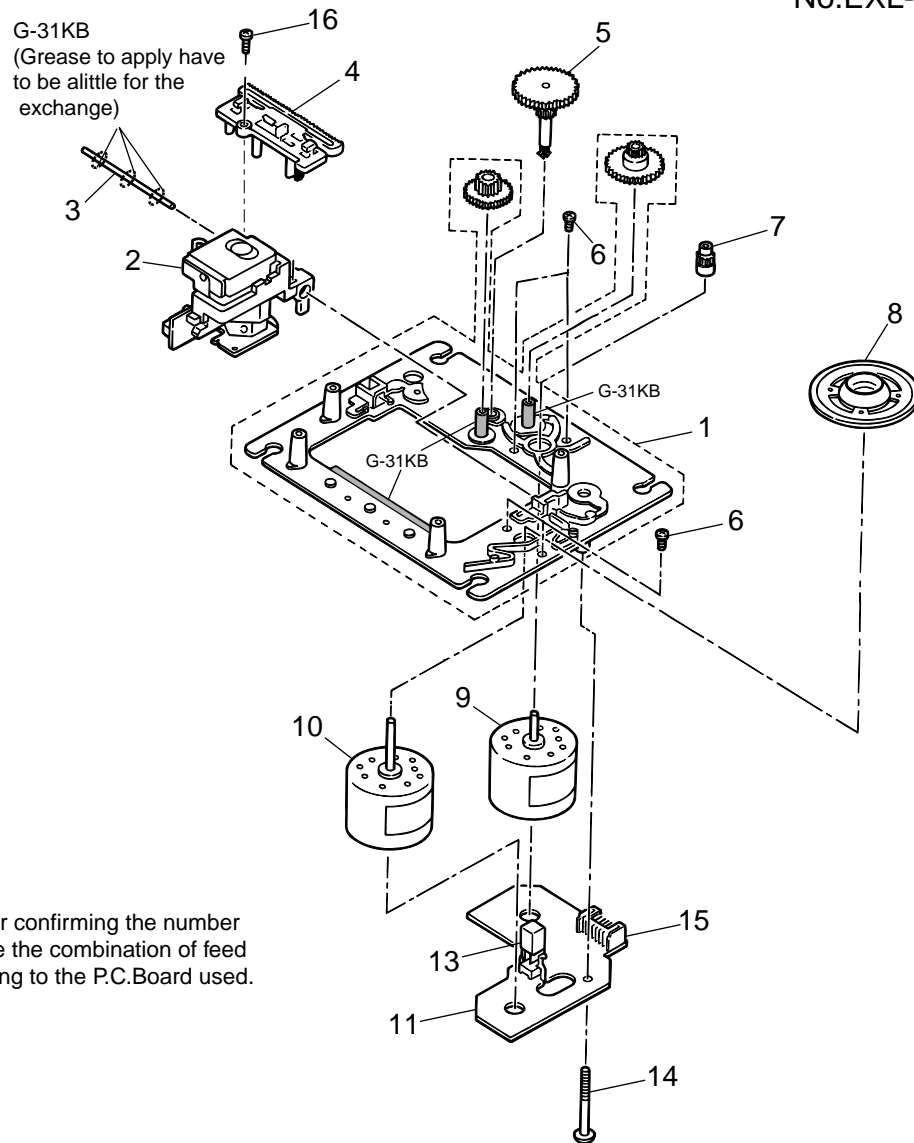


CD mechanism assembly and parts list

■ Grease Point

Block No. M 3 M M

No. EXL-M7B



NOTE

Please order motor after confirming the number of the P.C.Board because the combination of feed motor is different according to the P.C.Board used.

■ Parts list (CD mechanism assembly)

Block No. M3MM

Item	Parts number	Parts name	Q'ty	Description	Area
1	GJ560280020101	MECHA BASE	1	E102731-221SMKP	
2	OPTIMA-7B	CD PICK UP	1		
3	E407782-001	PICK SHAFT	1		
4	E307746-001	CD RACK GEAR	1	GEAR SHAFT	
5	GJ560280010101	MECHA GEAR	1	E307745-221SS	
6	GJ50312003102	SCREW M2X3 B/H	4	SDSP2003N	
7	E406750-001	PINION GEAR	1		
8	GJA2062001001C	CD TURN TABLE	1	EPB-001PK	
9	GJ90028678400	FEED MOTOR	1	E406784-001	
10	GJ90028678300	SPINDLE MOTOR	1	QAR0130-001	
11	EMW10190-001/S/	MECH CIR BOARD	1		
13	GJ157208512	LEAF SWITCH	1		
14	GJ50322623312	SPECIAL SCREW	1	E75832-221SS	
15	GJ51206010101	6P PLUG ASSY	1	EMV5109-006B	
16	SDSF2006Z	SCREW	1		

Electrical parts list

■ Electrical parts list (Main board)

Block No. 01

△	Item	Parts number	Parts name	Remarks	Area	△	Item	Parts number	Parts name	Remarks	Area
	C 3	GJ264130392101	C.CAPACITOR	50V SL K 3.9PF			C 201	GJ283101022432	M.CAPACITOR	POLY FILM 50V K	
	C 5	GJ270191040332	E.CAPACITOR	50V M 0.1UF			C 202	GJ283105622432	M.CAPACITOR	POLY FILM 50V K	
	C 6	GJ264271032101	C.CAPACITOR	16V Y M 0.01UF			C 203	GJ270122260332	E.CAPACITOR	16V M 22UF	
	C 7	GJ264141022101	C.CAPACITOR	50V B K 1000PF			C 207	GJ270194750332	E.CAPACITOR	50V VX M 4.7UF	
	C 9	GJ264031202101	A.CAPACITOR	50V SL J 12PF			C 208	GJ270191050332	E.CAPACITOR	50V M 1UF	
	C 13	GJ262102232402	C.CAPACITOR	25V YR K 0.022U			C 214	GJ270194750332	E.CAPACITOR	50V VX M 4.7UF	
	C 16	GJ264271032101	C.CAPACITOR	16V Y M 0.01UF			C 219	GJ270194740332	E.CAPACITOR	50V M 0.47UF	
	C 21	GJ262104732402	C.CAPACITOR	25V YR K 0.047U			C 220	GJ270121070332	E.CAPACITOR	100UF 16V VX M	
	C 22	GJ285214312415	M.CAPACITOR	PP 100V J 430PF			C 221	GJ264142212101	C.CAPACITOR	50V B K 220PF	
	C 23	GJ264081202101	C.CAPACITOR	50V CH J 12PF			C 222	GJ270121070332	E.CAPACITOR	100UF 16V VX M	
	C 31	GJ264141022101	C.CAPACITOR	50V B K 1000PF			C 223	GJ270121080132	E.CAPACITOR	1000UF16V VX	
	C 32	GJ264271032101	C.CAPACITOR	16V Y M 0.01UF			C 224	GJ283101042432	M.CAPACITOR	POLY FILM 50V K	
	C 33	GJ270111070332	E.CAPACITOR	10V M 100UF			C 230	GJ260772212412	C.CAPACITOR	50V SL J 220PF	
	C 35	GJ270191040332	E.CAPACITOR	50V M 0.1UF			C 232	GJ270194740332	E.CAPACITOR	50V M 0.47UF	
	C 36	GJ270194750332	E.CAPACITOR	50V VX M 4.7UF			C 233	GJ270114760332	E.CAPACITOR	10V M 47UF	
	C 37	GJ264141022101	C.CAPACITOR	50V B K 1000PF			C 255	GJ264141812101	C.CAPACITOR	50V B K 180PF	
	C 38	GJ264271032101	C.CAPACITOR	16V Y M 0.01UF			C 256	GJ283108222432	M.CAPACITOR	POLY FILM 50V K	
	C 40	GJ264271032101	C.CAPACITOR	16V Y M 0.01UF			C 257	GJ283101542432	M.CAPACITOR	POLY FILM 50V K	
	C 41	GJ270194750332	E.CAPACITOR	50V VX M 4.7UF			C 303	GJ260771512412	C.CAPACITOR	50V SL J 150PF	
	C 42	GJ262104732402	C.CAPACITOR	25V YR K 0.047U			C 304	GJ270114760332	E.CAPACITOR	10V M 47UF	
	C 43	GJ270191040332	E.CAPACITOR	50V M 0.1UF			C 305	GJ270122260332	E.CAPACITOR	16V M 22UF	
	C 44	GJ270191050332	E.CAPACITOR	50V M 1UF			C 306	GJ270111070332	E.CAPACITOR	10V M 100UF	
	C 45	GJ270191040332	E.CAPACITOR	50V M 0.1UF			C 308	GJ260771812412	C.CAPACITOR	50V SL J 180PF	
	C 47	GJ262101532402	C.CAPACITOR	25V YR K 0.015U			C 309	GJ264261822101	C.CAPACITOR	16V X M 0.0018U	
	C 48	GJ262101532402	C.CAPACITOR	25V YR K 0.015U			C 310	GJ283101822432	M.CAPACITOR	POLY FILM 50V K	
	C 49	GJ270191040332	E.CAPACITOR	50V M 0.1UF			C 312	GJ283106822432	M.CAPACITOR	POLY FILM 50V K	
	C 50	GJ270191040332	E.CAPACITOR	50V M 0.1UF			C 313	GJ270114760332	E.CAPACITOR	10V M 47UF	
	C 51	GJ264143312101	C.CAPACITOR	50V B K 330PF			C 315	GJ283104722432	M.CAPACITOR	POLY FILM 50V K	
	C 52	GJ264141022101	C.CAPACITOR	50V B K 1000PF			C 318	GJ270143380132	E.CAPACITOR	25V VX M 3300UF	
	C 56	GJ264141022101	C.CAPACITOR	50V B K 1000PF			C 319	GJ270141060332	E.CAPACITOR	25V M 10UF	
	C 60	GJ264141022101	C.CAPACITOR	50V B K 1000PF			C 320	GJ270122270332	E.CAPACITOR	16V M 220UF	
	C 61	GJ270111070332	E.CAPACITOR	10V M 100UF			C 322	GJ264141022101	C.CAPACITOR	50V B K 1000PF	
	C 62	GJ264081202101	C.CAPACITOR	50V CH J 12PF			C 331	GJ264141022101	C.CAPACITOR	50V B K 1000PF	
	C 63	GJ264141022101	C.CAPACITOR	50V B K 1000PF			C 350	GJ270194750332	E.CAPACITOR	50V VX M 4.7UF	
	C 64	GJ264081202101	C.CAPACITOR	50V CH J 12PF			C 352	GJ270111070332	E.CAPACITOR	10V M 100UF	
	C 65	GJ264141022101	C.CAPACITOR	50V B K 1000PF			C 353	GJ270121060332	E.CAPACITOR	16V M 10UF	
	C 69	GJ264262222101	A.CAPACITOR	16V X M 0.0022U			C 354	GJ270112270332	E.CAPACITOR	10V M 220UF	
	C 70	GJ270192250332	E.CAPACITOR	50V M 2.2UF			C 356	GJ270122260332	E.CAPACITOR	16V M 22UF	
	C 71	GJ270121060332	E.CAPACITOR	16V M 10UF			C 357	GJ270122260332	E.CAPACITOR	16V M 22UF	
	C 77	GJ264141022101	C.CAPACITOR	50V B K 1000PF			C 604	GJ270111070332	E.CAPACITOR	10V M 100UF	
	C 80	GJ264141512101	C.CAPACITOR	50V B K 150PF			C 605	GJ270141060332	E.CAPACITOR	25V M 10UF	
	C 98	GJ264141012101	C.CAPACITOR	50V B K 100PF			C 606	GJ264141022101	C.CAPACITOR	50V B K 1000PF	
	C 99	GJ264141012101	C.CAPACITOR	50V B K 100PF			C 607	GJ264141022101	C.CAPACITOR	50V B K 1000PF	
	C 101	GJ283101022432	M.CAPACITOR	POLY FILM 50V K			C 608	GJ270191050332	E.CAPACITOR	50V M 1UF	
	C 102	GJ283105622432	M.CAPACITOR	POLY FILM 50V K			C 609	GJ264141012101	C.CAPACITOR	50V B K 100PF	
	C 103	GJ270122260332	E.CAPACITOR	16V M 22UF			C 610	GJ282032732415	M.CAPACITOR	FILM 50V J 0.02	
	C 104	GJ282033932415	M.CAPACITOR	FILM 50V J 0.03			C 611	GJ264264722101	A.CAPACITOR	16V X M 0.0047U	
	C 105	GJ270193350332	E.CAPACITOR	50V M 3.3UF			C 612	GJ264271032101	C.CAPACITOR	16V Y M 0.01UF	
	C 107	GJ270194750332	E.CAPACITOR	50V VX M 4.7UF			C 613	GJ264143312101	C.CAPACITOR	50V B K 330PF	
	C 108	GJ270191050332	E.CAPACITOR	50V M 1UF			C 614	GJ282031042415	M.CAPACITOR	FILM 50V J 0.1U	
	C 114	GJ270194750332	E.CAPACITOR	50V VX M 4.7UF			C 615	GJ264182232101	C.CAPACITOR	25V F Z 0.022UF	
	C 119	GJ270194740332	E.CAPACITOR	50V M 0.47UF			C 616	GJ264182232101	C.CAPACITOR	25V F Z 0.022UF	
	C 120	GJ270121070332	E.CAPACITOR	100UF 16V VX M			C 617	GJ264182232101	C.CAPACITOR	25V F Z 0.022UF	
	C 121	GJ264142212101	C.CAPACITOR	50V B K 220PF			C 618	GJ264262222101	A.CAPACITOR	16V X M 0.0022U	
	C 122	GJ270121070332	E.CAPACITOR	100UF 16V VX M			C 619	GJ264142712101	A.CAPACITOR	50V B K 270PF	
	C 123	GJ270121080132	E.CAPACITOR	1000UF16V VX			C 620	GJ264141812101	C.CAPACITOR	50V B K 180PF	
	C 124	GJ283101042432	M.CAPACITOR	POLY FILM 50V K			C 622	GJ270114760332	E.CAPACITOR	10V M 47UF	
	C 130	GJ260772212412	C.CAPACITOR	50V SL J 220PF			C 623	GJ282031042415	M.CAPACITOR	FILM 50V J 0.1U	
	C 132	GJ270194740332	E.CAPACITOR	50V M 0.47UF			C 628	GJ262104732402	C.CAPACITOR	25V YR K 0.047U	
	C 133	GJ270114760332	E.CAPACITOR	10V M 47UF			C 629	GJ270111070332	E.CAPACITOR	10V M 100UF	
	C 155	GJ264141812101	C.CAPACITOR	50V B K 180PF			C 631	GJ270114770332	E.CAPACITOR	10V M 470UF	
	C 156	GJ283108222432	M.CAPACITOR	POLY FILM 50V K			C 632	GJ270111070332	E.CAPACITOR	10V M 100UF	
	C 157	GJ283101542432	M.CAPACITOR	POLY FILM 50V K			C 640	GJ264278222101	C.CAPACITOR	16V X M 0.0082U	

■ Electrical parts list (Main board)

Block No. 01

△	Item	Parts number	Parts name	Remarks	Area	△	Item	Parts number	Parts name	Remarks	Area
	C 641	GJ264182232101	C.CAPACITOR	25V F Z 0.022UF			D 12	IN4001	DIODE	RECT 1N4001 BUL	
	C 651	GJ264032202101	C.CAPACITOR	50V SL J 22PF			D 303	1SS133Y	DIODE	GJ871999133	
	C 652	GJ264032202101	C.CAPACITOR	50V SL J 22PF			D 305	1SS133Y	DIODE	GJ871999133	
	C 653	GJ264182232101	C.CAPACITOR	25V F Z 0.022UF			D 307	1SS133Y	DIODE	GJ871999133	
	C 655	GJ262104732402	C.CAPACITOR	25V YR K 0.047U			D 661	1SS133Y	DIODE	GJ871999133	
	C 661	GJ264144712101	C.CAPACITOR	50V B K 470PF		△	D 901	1N5401-M	SI DIODE	1N5401	
	C 662	GJ264182232101	C.CAPACITOR	25V F Z 0.022UF		△	D 902	1N5401-M	SI DIODE	1N5401	
	C 663	GJ282032232415	M.CAPACITOR	FILM 50V J 0.02		△	D 903	1N5401-M	SI DIODE	1N5401	
	C 664	GJ264182232101	C.CAPACITOR	25V F Z 0.022UF		△	D 904	1N5401-M	SI DIODE	1N5401	
	C 665	GJ282031042415	M.CAPACITOR	FILM 50V J 0.1U			D 905	1SS133Y	DIODE	GJ871999133	
	C 671	GJ264262222101	A.CAPACITOR	16V X M 0.0022U			D 907	1SS133Y	DIODE	GJ871999133	
	C 672	GJ264262222101	A.CAPACITOR	16V X M 0.0022U			D 908	1SS133Y	DIODE	GJ871999133	
	C 673	GJ270112270332	E.CAPACITOR	10V M 220UF			D 909	1SS133Y	DIODE	GJ871999133	
	C 674	GJ264182232101	C.CAPACITOR	25V F Z 0.022UF			D 910	1SS133Y	DIODE	GJ871999133	
	C 675	GJ264141022101	C.CAPACITOR	50V B K 1000PF			D 911	1SS133Y	DIODE	GJ871999133	
	C 690	GJ264271032101	C.CAPACITOR	16V Y M 0.01UF			D 912	IN4001	DIODE	RECT 1N4001 BUL	
	C 691	GJ264141512101	C.CAPACITOR	50V B K 150PF			D 914	1SS133Y	DIODE	GJ871999133	
	C 692	GJ264141512101	C.CAPACITOR	50V B K 150PF			D 915	1SS133Y	DIODE	GJ871999133	
	C 693	GJ264141512101	C.CAPACITOR	50V B K 150PF			D 916	1SS133Y	DIODE	GJ871999133	
	C 694	GJ264141512101	C.CAPACITOR	50V B K 150PF			D 917	1SS133Y	DIODE	GJ871999133	
	C 695	GJ264271032101	C.CAPACITOR	16V Y M 0.01UF			D 918	1SS133Y	DIODE	GJ871999133	
	C 696	GJ264141012101	C.CAPACITOR	50V B K 100PF			D 995	1SS133Y	DIODE	GJ871999133	
	C 697	GJ264141012101	C.CAPACITOR	50V B K 100PF			DM 1	1SS133Y	DIODE	GJ871999133	
	C 698	GJ264141012101	C.CAPACITOR	50V B K 100PF			DM 2	1SS133Y	DIODE	GJ871999133	
	C 699	GJ264141012101	C.CAPACITOR	50V B K 100PF			FC901	GJ153321741	FUSE HOLDER		
	C 709	GJ270102280132	E.CAPACITOR	6.3V VX M 2200U			FC902	GJ153321741	FUSE HOLDER		
	C 901	GJ262772232412	C.CAPACITOR	50V F Z 0.022UF			FC904	GJ153321741	FUSE HOLDER		
	C 902	GJ262772232412	C.CAPACITOR	50V F Z 0.022UF			FC905	GJ153321741	FUSE HOLDER		
	C 903	GJ262772232412	C.CAPACITOR	50V F Z 0.022UF			FW 1	GJ353120150107	CABLE FFC 12PIN	CN303 TO CN703	
	C 904	GJ262772232412	C.CAPACITOR	50V F Z 0.022UF			FW 2	VWF1015-08TTA	FFC CABLE	CN601 TO CD	
	C 905	GJ264271032101	C.CAPACITOR	16V Y M 0.01UF			FW 3	GJ353170240107	CABLE FFC 17PIN	CN304 TO CN701	
	C 906	GJ264271032101	C.CAPACITOR	16V Y M 0.01UF			IC 1	TA2104AN	IC	TA2104AN DIP	
	C 908	GJ264271032101	C.CAPACITOR	16V Y M 0.01UF			IC 2	LC72136N	IC	PLL IC	
	C 909	GJ270194750332	E.CAPACITOR	50V VX M 4.7UF			IC301	TA2068N	IC	DIP PRE/REC AMP	
	C 910	GJ270112270332	E.CAPACITOR	10V M 220UF		△	IC302	LA4597K	IC	DIP SB-S1150	
	C 911	GJ270122260332	E.CAPACITOR	16V M 22UF			IC601	AN8806SB	IC	RF AMP	
	C 912	GJ264271032101	C.CAPACITOR	16V Y M 0.01UF			IC602	BA6897FP	IC	POWER DRIVER	
	C 913	GJ264271032101	C.CAPACITOR	16V Y M 0.01UF			IC603	MN35510	IC	1 CHIP PROCISSE	
	C 914	GJ270112270332	E.CAPACITOR	10V M 220UF			IC703	GP1U281X	IC	GP1U281X	
	C 915	GJ270111070332	E.CAPACITOR	10V M 100UF		△	J 9	QNC0042-001	AC SOCKET	250V 2.5A HSC14	
	C 916	GJ270114760332	E.CAPACITOR	10V M 47UF			J 301	GJ342010200113	JACK	H/P MSJ2000 (BL	
	CCM 1	GJ270191040332	E.CAPACITOR	50V M 0.1UF			JM 1	GJ342010200113	JACK	H/P MSJ2000 (BL	
	CCM 2	GJ264141512101	C.CAPACITOR	50V B K 150PF			K 1	QQR0779-001Z	INDUCTOR	GJVQZ0048009	
	CC204	GJ282033932415	M.CAPACITOR	FILM 50V J 0.03			K 601	QQR0779-001Z	INDUCTOR	GJVQZ0048009	
	CC205	GJ270193350332	E.CAPACITOR	50V M 3.3UF			K 602	QQR0779-001Z	INDUCTOR	GJVQZ0048009	
	CF 1	QAX0403-001	C FILTER	CER FM 10.7M			L 1	VQF1B20-019	OSC COIL	FM OSC OR	
	CF 3	QAX0538-001Z	CRYSTAL	CER FM CDA10.7			L 2	VQC1505-002L	RF COIL	GJ320020260109	
	CM 3	GJ270121070332	E.CAPACITOR	100UF 16V VX M			L 3	VQB008M-506	BAR ANTENA	GJVQB008M506	
	CM 4	GJ262101032402	CAP C	25V YR K 0.01UF			L 4	QQR0723-001	OSC COIL	IFT AM OSC 7.5	
	CN301	GJ156450711	CONNECTOR	4PINS ST RED			L 7	VQP0018-221	INDUCTOR	220UH 10% Q40	
	CN303	QGF1212C1-12	FFC/FPC CONNE	12PINS OR			L 10	QQL231K-4R7Y	INDUCTOR	4.7UH	
	CN304	QGF1212C1-17	FFC CONNE	17PINS			L 12	V03047-17L	INDUCTOR	GJ320080140109	
	CN306	TID-X03P-MI	CONNECTOR	3 PINS RA WHIT			L 601	3A839N	INDUCTOR	10UH RADIAL LEA	
	CN307	5268-03A	CONNECTOR	3PINS RA			L 602	GJ141033431	INDUCTOR	100UH 10% Q40	
	CN308	GJ156450911	CONNECTOR	6PINS ST WHITE			L 901	VQP0028-330Z	INDUCTOR	33UH	
	CN309	GJ158016511	TRANSISTOR	4PIN ST WHITE			Q 1	2SC2668/O/T	TRANSISTOR	SC2668/O/TP O	
	CN310	QGA2501C3-03Z	CONNECTOR IM	GJ156450611			Q 101	2SC2001/LK/-T	TRANSISTOR	2SC2001TP-LK	
	CN601	QGF1025C1-15	21-41 CONNECTOR	15PINS			Q 111	2SC2458/YG/-T	TRANSISTOR	2SC2458TP-YGR	
	D 1	SVC203SPA-JV-T	VARI CAP	GJ310050080104			Q 112	2SC2458/YG/-T	TRANSISTOR	2SC2458TP-YGR	
	D 2	SVC203SPA-JV-T	VARI CAP	GJ310050080104			Q 201	2SC2001/LK/-T	TRANSISTOR	2SC2001TP-LK	
	D 5	1SS133Y	DIODE	GJ871999133			Q 211	2SC2458/YG/-T	TRANSISTOR	2SC2458TP-YGR	
	D 6	1SS133Y	DIODE	GJ871999133			Q 212	2SC2458/YG/-T	TRANSISTOR	2SC2458TP-YGR	
	D 8	KV1555N-T	VARI CAPACITOR	GJ310050040103			Q 302	KRA102M-T	D.TRANSISTOR	KRA102M-AT OR	

■ Electrical parts list (Main board)

Block No. 01

△	Item	Parts number	Parts name	Remarks	Area	△	Item	Parts number	Parts name	Remarks	Area
	Q 303	2SC2458/YG/-T	TRANSISTOR	2SC2458TP-YGR			R 104	GJ250083322103	CARBON RESISTOR	CF 1/6W J 3.3K	
	Q 304	2SA1015/YG/-T	TRANSISTOR	2SA1015TP-YGR			R 106	GJ250083932103	CF RESISTOR	CF 1/6W J 39K	
	Q 305	KRC102M-T	D.TRANSISTOR	KRC102M-AT OR			R 107	GJ250088202103	RES CF	CF 1/6W J 82	
	Q 306	8550C	TRANSISTOR	SS8550C TAPE			R 108	GJ250081532103	CARBON RESISTOR	CF 1/6W J 15K	
	Q 308	DTC143ES	TRANSISTOR	DTC143ES-TP			R 119	GJ250081042103	CARBON RESISTOR	CF 1/6W J 100K	
	Q 309	2SC2458/YG/-T	TRANSISTOR	2SC2458TP-YGR			R 121	GJ250088202103	RES CF	CF 1/6W J 82	
	Q 310	DTA143ESA-T	D.TR.I.M	DTA143ESA-TP			R 122	GJ250082292103	C.RESISTOR	CF 1/6W J 2.2	
	Q 311	2SC2001/LK/-T	TRANSISTOR	2SC2001TP-LK			R 123	GJ250081012103	CARBON RESISTOR	CF 1/6W J 100	
	Q 312	2SC2001/LK/-T	TRANSISTOR	2SC2001TP-LK			R 124	GJ250082222103	CARBON RESISTOR	CF 1/6W J 2.2K	
	Q 313	2SC2001/LK/-T	TRANSISTOR	2SC2001TP-LK			R 125	GJ250081032103	CARBON RESISTOR	CF 1/6W J 10K	
	Q 315	2SC2458/YG/-T	TRANSISTOR	2SC2458TP-YGR			R 127	GJ250083322103	CARBON RESISTOR	CF 1/6W J 3.3K	
	Q 316	2SA1015/YG/-T	TRANSISTOR	2SA1015TP-YGR			R 131	GJ250081832103	CARBON RESISTOR	CF 1/6W J 18K	
	Q 317	2SC2458/YG/-T	TRANSISTOR	2SC2458TP-YGR			R 132	GJ250081032103	CARBON RESISTOR	CF 1/6W J 10K	
	Q 318	DTA143ESA-T	D.TR.I.M	DTA143ESA-TP			R 133	GJ250081822103	CARBON RESISTOR	CF 1/6W J 1.8K	
	Q 601	2SA952/LK/-T	TRANSISTOR	2SA952-L TAPE			R 134	GJ250083922103	CARBON RESISTOR	CF 1/6W J 3.9K	
	Q 631	2SA952/LK/-T	TRANSISTOR	2SA952-L TAPE			R 135	GJ250084732103	CARBON RESISTOR	CF 1/6W J 47K	
	Q 851	2SA1037AK/RS/-X	TRANSISTOR	2SA1037AK-T146-			R 137	GJ250086822103	CARBON RESISTOR	CF 1/6W J 6.8K	
△	Q 901	2SB772/QP/	TRANSISTOR	2SB772-P BULK			R 204	GJ250083322103	CARBON RESISTOR	CF 1/6W J 3.3K	
	Q 902	2SC2458/YG/-T	TRANSISTOR	2SC2458TP-YGR			R 206	GJ250083932103	CF RESISTOR	CF 1/6W J 39K	
△	Q 903	8550C	TRANSISTOR	SS8550C TAPE			R 207	GJ250088202103	RES CF	CF 1/6W J 82	
	Q 904	2SC2458/YG/-T	TRANSISTOR	2SC2458TP-YGR			R 208	GJ250081532103	CARBON RESISTOR	CF 1/6W J 15K	
△	Q 906	8550C	TRANSISTOR	SS8550C TAPE			R 219	GJ250081042103	CARBON RESISTOR	CF 1/6W J 100K	
	Q 907	2SC2458/YG/-T	TRANSISTOR	2SC2458TP-YGR			R 221	GJ250088202103	RES CF	CF 1/6W J 82	
△	Q 908	2SB772/QP/	TRANSISTOR	2SB772-P BULK			R 222	GJ250082292103	C.RESISTOR	CF 1/6W J 2.2	
	Q 909	2SC2458/YG/-T	TRANSISTOR	2SC2458TP-YGR			R 223	GJ250081012103	CARBON RESISTOR	CF 1/6W J 100	
	Q 911	2SC2458/YG/-T	TRANSISTOR	2SC2458TP-YGR			R 224	GJ250082222103	CARBON RESISTOR	CF 1/6W J 2.2K	
	QM 1	2SC2458/YG/-T	TRANSISTOR	2SC2458TP-YGR			R 225	GJ250081032103	CARBON RESISTOR	CF 1/6W J 10K	
	QM 2	2SC2458/YG/-T	TRANSISTOR	2SC2458TP-YGR			R 227	GJ250083322103	CARBON RESISTOR	CF 1/6W J 3.3K	
	R 1	GJ250081042103	CARBON RESISTOR	CF 1/6W J 100K			R 231	GJ250081832103	CARBON RESISTOR	CF 1/6W J 18K	
	R 2	GJ250084732103	CARBON RESISTOR	CF 1/6W J 47K			R 232	GJ250081032103	CARBON RESISTOR	CF 1/6W J 10K	
	R 3	GJ250082702103	CARBON RESISTOR	CF 1/6W J 27			R 233	GJ250081822103	CARBON RESISTOR	CF 1/6W J 1.8K	
	R 4	GJ250084732103	CARBON RESISTOR	CF 1/6W J 47K			R 234	GJ250083922103	CARBON RESISTOR	CF 1/6W J 3.9K	
	R 7	GJ250081042103	CARBON RESISTOR	CF 1/6W J 100K			R 235	GJ250084732103	CARBON RESISTOR	CF 1/6W J 47K	
	R 9	GJ250084722103	CARBON RESISTOR	CF 1/6W J 4.7K			R 237	GJ250086822103	CARBON RESISTOR	CF 1/6W J 6.8K	
	R 13	GJ250081042103	CARBON RESISTOR	CF 1/6W J 100K			R 302	GJ250081032103	CARBON RESISTOR	CF 1/6W J 10K	
	R 18	GJ250081022103	CARBON RESISTOR	CF 1/6W J 1K			R 303	GJ250084752103	C.RESISTOR	CF 1/6W J 4.7M	
	R 20	GJ250081022103	CARBON RESISTOR	CF 1/6W J 1K			R 304	GJ250081032103	CARBON RESISTOR	CF 1/6W J 10K	
	R 24	GJ250086812103	CARBON RESISTOR	CF 1/6W J 680			R 305	GJ250081822103	CARBON RESISTOR	CF 1/6W J 1.8K	
	R 30	GJ250081832103	CARBON RESISTOR	CF 1/6W J 18K			R 306	GJ250081822103	CARBON RESISTOR	CF 1/6W J 1.8K	
	R 31	GJ250081042103	CARBON RESISTOR	CF 1/6W J 100K			R 307	GJ250083322103	CARBON RESISTOR	CF 1/6W J 3.3K	
	R 32	GJ250083322103	CARBON RESISTOR	CF 1/6W J 3.3K			R 310	GJ250081232103	CARBON RESISTOR	CF 1/6W J 12K	
	R 33	GJ250083312103	CARBON RESISTOR	CF 1/6W J 330			R 311	GJ250081012103	CARBON RESISTOR	CF 1/6W J 100	
	R 35	GJ250082732103	CARBON RESISTOR	CF 1/6W J 27K			R 312	GJ250084312103	C.RESISTOR	CF 1/6W J 430	
	R 36	GJ250082732103	CARBON RESISTOR	CF 1/6W J 27K			R 313	GJ250081202103	C.RESISTOR	CF 1/6W J 12	
	R 37	GJ250085602103	CARBON RESISTOR	CF 1/6W J 56			R 316	GJ250083322103	CARBON RESISTOR	CF 1/6W J 3.3K	
	R 38	GJ250081012103	CARBON RESISTOR	CF 1/6W J 100			R 317	GJ250081032103	CARBON RESISTOR	CF 1/6W J 10K	
	R 39	GJ250081212103	CF RESISTOR	CF 1/6W J 120			R 318	GJ250081012103	CARBON RESISTOR	CF 1/6W J 100	
	R 42	GJ250084732103	CARBON RESISTOR	CF 1/6W J 47K			R 320	GJ250085622103	CARBON RESISTOR	CF 1/6W J 5.6K	
	R 44	GJ250082222103	CARBON RESISTOR	CF 1/6W J 2.2K			R 321	GJ250085622103	CARBON RESISTOR	CF 1/6W J 5.6K	
	R 47	GJ250082202103	CARBON RESISTOR	CF 1/6W J 22			R 328	GJ250081032103	CARBON RESISTOR	CF 1/6W J 10K	
	R 48	GJ250081022103	CARBON RESISTOR	CF 1/6W J 1K			R 332	GJ250081032103	CARBON RESISTOR	CF 1/6W J 10K	
	R 49	GJ250081832103	CARBON RESISTOR	CF 1/6W J 18K			R 334	GJ250081022103	CARBON RESISTOR	CF 1/6W J 1K	
	R 50	GJ250081832103	CARBON RESISTOR	CF 1/6W J 18K			R 356	GJ250081032103	CARBON RESISTOR	CF 1/6W J 10K	
	R 52	GJ250081032103	CARBON RESISTOR	CF 1/6W J 10K			R 360	GJ250081032103	CARBON RESISTOR	CF 1/6W J 10K	
	R 54	GJ250082222103	CARBON RESISTOR	CF 1/6W J 2.2K			R 361	GJ250084742103	CARBON RESISTOR	CF 1/6W J 470K	
	R 55	GJ250082222103	CARBON RESISTOR	CF 1/6W J 2.2K			R 371	GJ250081032103	CARBON RESISTOR	CF 1/6W J 10K	
	R 56	GJ250083322103	CARBON RESISTOR	CF 1/6W J 3.3K			R 372	GJ250083322103	CARBON RESISTOR	CF 1/6W J 3.3K	
	R 57	GJ250081022103	CARBON RESISTOR	CF 1/6W J 1K			R 373	GJ250081012103	CARBON RESISTOR	CF 1/6W J 100	
	R 59	GJ250081022103	CARBON RESISTOR	CF 1/6W J 1K			R 601	GJ250081132103	CARBON RESISTOR	CF 1/6W J 11K	
	R 60	GJ250081022103	CARBON RESISTOR	CF 1/6W J 1K			R 603	GJ250081252103	FUSE RESISTOR	CF 1/6W J 1.2M	
	R 61	GJ250081022103	CARBON RESISTOR	CF 1/6W J 1K			R 605	GJ250082742103	CARBON RESISTOR	CF 1/6W J 270K	
	R 63	GJ250084732103	CARBON RESISTOR	CF 1/6W J 47K			R 606	GJ250081542103	CARBON RESISTOR	CF 1/6W J 150K	
	R 64	GJ250081022103	CARBON RESISTOR	CF 1/6W J 1K			R 607	GJ250082732103	CARBON RESISTOR	CF 1/6W J 27K	

■ Electrical parts list (Main board)

Block No. 01

△	Item	Parts number	Parts name	Remarks	Area
	R 609	GJ250081042103	CARBON RESISTOR	CF 1/6W J 100K	
	R 610	GJ250081542103	CARBON RESISTOR	CF 1/6W J 150K	
	R 612	GJ250081022103	CARBON RESISTOR	CF 1/6W J 1K	
	R 613	GJ250081212103	CF RESISTOR	CF 1/6W J 120	
	R 614	GJ250081002103	CARBON RESISTOR	CF 1/6W J 10	
	R 615	GJ250081202103	C.RESISTOR	CF 1/6W J 12	
	R 616	GJ250089102103	CARBON RESISTOR	CF 1/6W J 91	
	R 621	GJ250083302103	CARBON RESISTOR	CF 1/6W J 33	
	R 622	GJ250083302103	CARBON RESISTOR	CF 1/6W J 33	
	R 623	GJ250083302103	CARBON RESISTOR	CF 1/6W J 33	
	R 631	GJ250083312103	CARBON RESISTOR	CF 1/6W J 330	
	R 632	GJ250081012103	CARBON RESISTOR	CF 1/6W J 100	
	R 633	GJ250082732103	CARBON RESISTOR	CF 1/6W J 27K	
	R 641	GJ250085632103	CARBON RESISTOR	CF 1/6W J 56K	
	R 642	GJ250081232103	CARBON RESISTOR	CF 1/6W J 12K	
	R 643	GJ250088222103	CARBON RESISTOR	CF 1/6W J 8.2K	
	R 644	GJ250082232103	CARBON RESISTOR	CF 1/6W J 22K	
	R 645	GJ250082232103	CARBON RESISTOR	CF 1/6W J 22K	
	R 646	GJ250082222103	CARBON RESISTOR	CF 1/6W J 2.2K	
	R 647	GJ250084722103	CARBON RESISTOR	CF 1/6W J 4.7K	
	R 651	GJ250081022103	CARBON RESISTOR	CF 1/6W J 1K	
	R 652	GJ250081022103	CARBON RESISTOR	CF 1/6W J 1K	
	R 653	GJ250081022103	CARBON RESISTOR	CF 1/6W J 1K	
	R 654	GJ250081022103	CARBON RESISTOR	CF 1/6W J 1K	
	R 659	GJ250082712103	CARBON RESISTOR	CF 1/6W J 270	
	R 661	GJ250086832103	CF RESISTOR	CF 1/6W J 68K	
	R 663	GJ250081242103	CARBON RESISTOR	CF 1/6W J 120K	
	R 664	GJ250084712103	CARBON RESISTOR	CF 1/6W J 470	
	R 666	GJ250082202103	CARBON RESISTOR	CF 1/6W J 22	
	R 671	GJ250081022103	CARBON RESISTOR	CF 1/6W J 1K	
	R 672	GJ250081022103	CARBON RESISTOR	CF 1/6W J 1K	
	R 696	GJ250082222103	CARBON RESISTOR	CF 1/6W J 2.2K	
	R 697	GJ250084742103	CARBON RESISTOR	CF 1/6W J 470K	
	R 901	GJ250084722103	CARBON RESISTOR	CF 1/6W J 4.7K	
	R 902	GJ250085632103	CARBON RESISTOR	CF 1/6W J 56K	
	R 903	GJ250081012103	CARBON RESISTOR	CF 1/6W J 100	
	R 904	GJ250088212103	CARBON RESISTOR	CF 1/6W J 820	
	R 906	GJ250085632103	CARBON RESISTOR	CF 1/6W J 56K	
	R 907	GJ250081022103	CARBON RESISTOR	CF 1/6W J 1K	
	R 908	GJ250083322103	CARBON RESISTOR	CF 1/6W J 3.3K	
	R 909	GJ250081022103	CARBON RESISTOR	CF 1/6W J 1K	
	R 910	GJ250081042103	CARBON RESISTOR	CF 1/6W J 100K	
	R 911	GJ250084722103	CARBON RESISTOR	CF 1/6W J 4.7K	
	R 912	GJ250081022103	CARBON RESISTOR	CF 1/6W J 1K	
	R 913	GJ250085622103	CARBON RESISTOR	CF 1/6W J 5.6K	
△	R 914	QRZ0077-4R7X	FUSE RESISTOR	1/4W J 4.7 TAPE	
	R 915	GJ250081012103	CARBON RESISTOR	CF 1/6W J 100	
	R 916	GJ250088212103	CARBON RESISTOR	CF 1/6W J 820	
	R 917	GJ250082202103	CARBON RESISTOR	CF 1/6W J 22	
	R 919	GJ250085632103	CARBON RESISTOR	CF 1/6W J 56K	
	R 920	GJ250084722103	CARBON RESISTOR	CF 1/6W J 4.7K	
	R 922	GJ250081032103	CARBON RESISTOR	CF 1/6W J 10K	
	R 999	GJ250083312103	CARBON RESISTOR	1/6W J 330	
	RM 1	GJ250081022103	CARBON RESISTOR	CF 1/6W J 1K	
	RM 2	GJ250086822103	CARBON RESISTOR	CF 1/6W J 6.8K	
	RM 5	GJ250085642103	CARBON RESISTOR	CF 1/6W J 560K	
	RM 7	GJ250086812103	CARBON RESISTOR	CF 1/6W J 680	
	RM 8	GJ250084722103	CARBON RESISTOR	CF 1/6W J 4.7K	
	RM 9	GJ250085632103	CARBON RESISTOR	CF 1/6W J 56K	
	RM 10	GJ250082022103	RESISTOR	CF 1/6W J 2K	
	RRM 4	GJ250088202103	RES CF	CF 1/6W J 82	
	S 301	MSW-17820MVD0	LEAF SWITCH		
	S 303	SK-23E01-G9	SLIDE SWITCH	SLIDE SIDE SK-2	

△	Item	Parts number	Parts name	Remarks	Area
△	S 901	QSW0555-001	VOLTAGE SELCTOR	GJ390180032211	
	T 2	GJ123388511	IFT	7MM BLACKPCFAZ-	
△	T 9	GJ336570420003	POWER TRANS.	QQT0209-003-1	
	T 301	OH-812320	BIAS OSC COIL	GJ321000140101	
	TC 2	QAT3722-200ZM	T CAPACITOR	TRIMMER 20PF EC	
	TP 2	VMZ0015-002	POST PIN	FM ANT PIN SOCK	
	WR 1	GJ354003940105	WIRE	CN308 TO DECK	
	WR 2	GJ354003960205	WIRE	POWER TO BATT.	
	WR 3	GJ354003980205	WIRE	CN309 TO SPEAK.	
	WR 4	GJ354003990405	WIRE	FW301 TO POWER.	
	WR 5	GJ354004000105	WIRE	CN301 TO HEAD	
	WR 6	GJ354004020105	WIRE	CN602 TO CD ME.	
	X 1	QAX0402-001	CRYSTAL	75KHZ +/-20PPM	
	X 651	CSA16.93MXZ040T	CERA LOCK	CER CSA	
	ZD 1	MTZ3.0JB	Z.DIODE	MTZ-J-T-77-3.0B	
	ZD903	MTZJ6.2B-T2	ZENER DIODE	MTZ-J-T-77-6.2	
	ZD904	MTZJ5.6B	Z DIODE	MTZ-J-T-77-5.6B	
	ZD905	MTZJ7.5C-T2	ZENER DIODE	MTZ-J-T-77-7.5C	

■ Electrical parts list (System CPU board)

Block No. 02

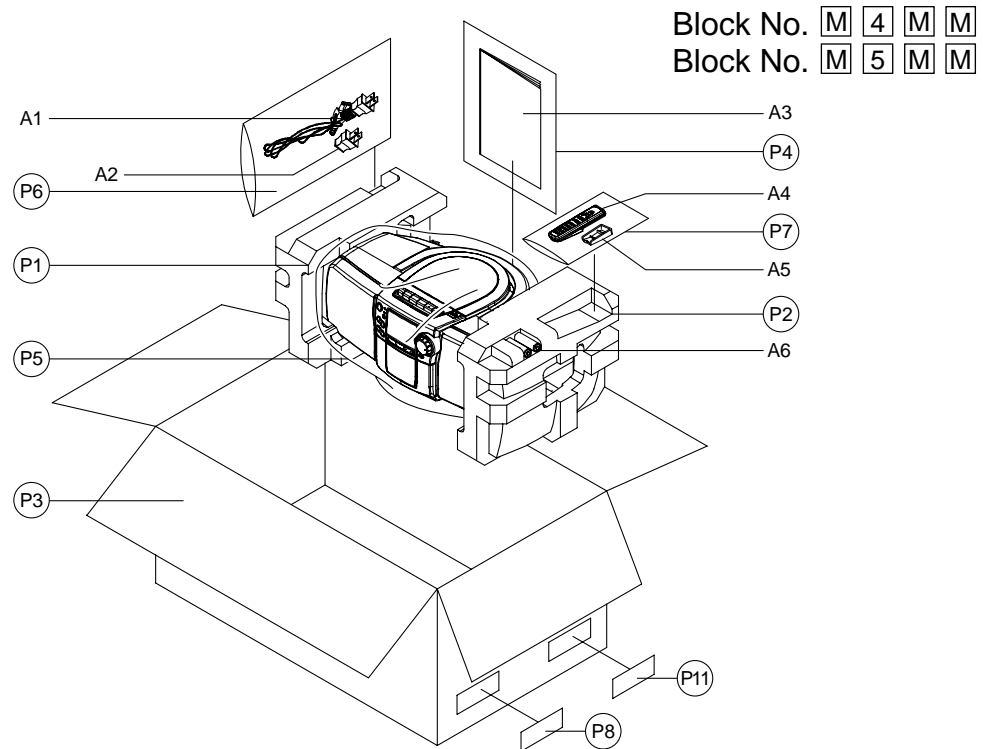
△	Item	Parts number	Parts name	Remarks	Area	△	Item	Parts number	Parts name	Remarks	Area
	C 702	GJ116323691	C.CAPACITOR	24PF CH 2012 5%			R 723	GJ121607391	C.RESISTOR	10K 1/10W 5%	
	C 703	GJ116324091	C.CAPACITOR	36PF CH 2012 Z			R 724	GJ121605791	C.RESISTOR	2.2K 1/10W 5% T	
	C 704	GJ116324091	C.CAPACITOR	36PF CH 2012 Z			R 725	GJ121605791	C.RESISTOR	2.2K 1/10W 5% T	
	C 705	GJ116323691	C.CAPACITOR	24PF CH 2012 5%			R 726	GJ121605791	C.RESISTOR	2.2K 1/10W 5% T	
	C 706	GJ116300991	C.CAPASISTOR	1000PF B 2012 1			R 727	GJ121605791	C.RESISTOR	2.2K 1/10W 5% T	
	C 707	GJ116303891	C.CAPACITOR	100000PF F 2012			R 728	GJ121607391	C.RESISTOR	10K 1/10W 5%	
	C 708	GJ270112270332	E.CAPACITOR	10V M 220UF			R 729	GJ121608991	C.RESISTOR	47K 1/10W 5%	
	C 710	GJ116302191	C.CAPASISTOR	10000PF B 2012			R 730	GJ121607391	C.RESISTOR	10K 1/10W 5%	
	C 711	GJ112423391	E.CAPACITOR	16V M 10UF			R 732	GJ121609791	C.RESISTOR	100K 1/10W 5%	
	C 712	GJ112425791	E.CAPACITOR	50V M 2.2UF			R 733	GJ121609791	C.RESISTOR	100K 1/10W 5%	
	C 719	GJ116300991	C.CAPASISTOR	1000PF B 2012 1			R 734	GJ121609791	C.RESISTOR	100K 1/10W 5%	
	C 720	GJ116300991	C.CAPASISTOR	1000PF B 2012 1			R 735	GJ121607391	C.RESISTOR	10K 1/10W 5%	
	C 721	GJ116302191	C.CAPASISTOR	10000PF B 2012			R 738	GJ121607391	C.RESISTOR	10K 1/10W 5%	
	C 722	GJ116311791	C.CAPACITOR	100PF SL 2012 5			R 739	GJ121608191	C.RESISTOR	22K 1/10W 5%	
	C 723	GJ116311791	C.CAPACITOR	100PF SL 2012 5			R 740	GJ121607391	C.RESISTOR	10K 1/10W 5%	
	C 724	GJ116311791	C.CAPACITOR	100PF SL 2012 5			R 741	GJ121607391	C.RESISTOR	10K 1/10W 5%	
	C 725	GJ116311791	C.CAPACITOR	100PF SL 2012 5			R 742	GJ121605791	C.RESISTOR	2.2K 1/10W 5% T	
	C 727	GJ112678591	E.CAPACITOR	10V M 47UF			R 746	GJ121608191	C.RESISTOR	22K 1/10W 5%	
	C 732	GJ116303891	C.CAPACITOR	100000PF F 2012			R 748	GJ121608191	C.RESISTOR	22K 1/10W 5%	
	C 738	GJ116312191	C.CAPACITOR	150PF SL 2012 5			R 749	GJ121608991	C.RESISTOR	47K 1/10W 5%	
	CN701	QGF1212F1-17	FFC/FPC CONNE	17PINS			R 750	GJ121607391	C.RESISTOR	10K 1/10W 5%	
	CN702	GJ156450811	CONNECTOR	5 PIN			R 751	GJ121607391	C.RESISTOR	10K 1/10W 5%	
	CN703	QGF1212F1-12	FFC CONNE	12PINS OR			R 752	GJ121607391	C.RESISTOR	10K 1/10W 5%	
	CN704	GJ156451711	CONNECTOR	2PINS RA			R 753	GJ121605791	C.RESISTOR	2.2K 1/10W 5% T	
	D 702	1SS133Y	DIODE	1SS133T-77			R 754	GJ121607391	C.RESISTOR	10K 1/10W 5%	
	D 703	UZ5.1BSC-T2	ZENER DIODE	MTZJ5.1B-T77			R 756	GJ121608191	C.RESISTOR	22K 1/10W 5%	
	D 706	1SS133Y	DIODE	1SS133T-77			R 758	GJ121605791	C.RESISTOR	2.2K 1/10W 5% T	
	D 707	1SS133Y	DIODE	1SS133T-77			R 759	GJ121604991	C.RESISTOR	1K 1/10W 5% TC	
	D 708	1SS133Y	DIODE	1SS133T-77			R 760	GJ121604991	C.RESISTOR	1K 1/10W 5% TC	
	D 851	LT0311G-41	LED GREEN STAND	DIA=3MM (STAND			R 761	GJ121605791	C.RESISTOR	2.2K 1/10W 5% T	
	D 852	LT0321-41	ON LED RTP	DIA=3MM (ON /GR			R 762	GJ121605791	C.RESISTOR	2.2K 1/10W 5% T	
	DI701	GJ373010282311	LCD	DLC-9833P			R 763	GJ121605791	C.RESISTOR	2.2K 1/10W 5% T	
	IC701	GJ313010671223	IC	MICOM MN171603Y			R 767	GJ121606591	C.RESISTOR	4.7K 1/10W 5%	
	K 701	QQR0779-001Z	INDUCTOR	GJVQZ0048009			R 768	GJ121607391	C.RESISTOR	10K 1/10W 5%	
	K 702	QQR0779-001Z	INDUCTOR	GJVQZ0048009			R 770	GJ121605791	C.RESISTOR	2.2K 1/10W 5% T	
	K 703	QQR0779-001Z	INDUCTOR	GJVQZ0048009			R 772	GJ121604991	C.RESISTOR	1K 1/10W 5% TC	
	L 701	3A839N	INDUCTOR	10UH K RADIAL L			R 774	GJ121604991	C.RESISTOR	1K 1/10W 5% TC	
	L 702	3A839N	INDUCTOR	10UH K RADIAL L			R 775	GJ121604991	C.RESISTOR	1K 1/10W 5% TC	
	Q 701	2SC2714/O/-X	TRANSISTOR	2SC2714-0-T146			R 776	GJ121604991	C.RESISTOR	1K 1/10W 5% TC	
	Q 702	2SC2714/O/-X	TRANSISTOR	2SC2714-0-T146			R 777	GJ121604991	C.RESISTOR	1K 1/10W 5% TC	
	Q 703	2SC2412K/R/-X	TRANSISTOR	2SC2412K-R-T146			R 778	GJ121604991	C.RESISTOR	1K 1/10W 5% TC	
	Q 704	DTC144EKA-X	TRANSISTOR	DTC144EKA-T146			R 779	GJ121604991	C.RESISTOR	1K 1/10W 5% TC	
	Q 705	2SA1037AK/RS/-X	TRANSISTOR	2SA1037AK/RS-T			R 785	GJ121607191	C.RESISTOR	8.2K 1/10W 5%	
	Q 706	DTC143TKA-X	DIGI TRANSISTOR	DTC143TKA-T146			R 789	GJ121607391	C.RESISTOR	10K 1/10W 5%	
	R 701	GJ121604991	C.RESISTOR	1K 1/10W 5% TC			R 796	GJ121609791	C.RESISTOR	100K 1/10W 5%	
	R 702	GJ121607191	C.RESISTOR	8.2K 1/10W 5%			R 797	GJ121606591	C.RESISTOR	4.7K 1/10W 5%	
	R 703	GJ121607191	C.RESISTOR	8.2K 1/10W 5%			R 851	GJ121605391	C.RESISTOR	1.5K 1/10W 5% T	
	R 704	GJ121604991	C.RESISTOR	1K 1/10W 5% TC			R 852	GJ121605591	C.RESISTOR	1.8K 1/10W 5% T	
	R 706	GJ121607391	C.RESISTOR	10K 1/10W 5%			R 853	GJ121605991	C.RESISTOR	2.7K 1/10W 5%	
	R 707	GJ121607391	C.RESISTOR	10K 1/10W 5%			R 854	GJ121606391	C.RESISTOR	3.9K 1/10W 5%	
	R 708	GJ121607391	C.RESISTOR	10K 1/10W 5%			R 855	GJ121606991	C.RESISTOR	6.8K 1/10W 5%	
	R 709	GJ121608191	C.RESISTOR	22K 1/10W 5%			R 856	GJ121607591	C.RESISTOR	12K 1/10W 5%	
	R 710	GJ121609791	C.RESISTOR	100K 1/10W 5%			R 857	GJ121608791	C.RESISTOR	39K 1/10W 5%	
	R 711	GJ121608191	C.RESISTOR	22K 1/10W 5%			R 858	GJ121606791	C.RESISTOR	5.6K 1/10W 5%	
	R 712	GJ121607391	C.RESISTOR	10K 1/10W 5%			R 859	GJ121607991	C.RESISTOR	18K 1/10W 5%	
	R 714	GJ121608791	C.RESISTOR	39K 1/10W 5%			R 860	GJ121603791	C.RESISTOR	330 1/10W 5% TC	
	R 715	GJ121608591	C.RESISTOR	33K 1/10W 5%			R 861	GJ121604591	C.RESISTOR	680 1/10W 5% TC	
	R 716	GJ121608991	C.RESISTOR	47K 1/10W 5%			R 864	GJ121606791	C.RESISTOR	5.6K 1/10W 5%	
	R 717	GJ121608591	C.RESISTOR	33K 1/10W 5%			S 851	QSW0707-001Z	TACT SWITCH	GJ390110171110	
	R 718	GJ121607391	C.RESISTOR	10K 1/10W 5%			S 852	QSW0707-001Z	TACT SWITCH	GJ390110171110	
	R 719	GJ121609791	C.RESISTOR	100K 1/10W 5%			S 853	QSW0707-001Z	TACT SWITCH	GJ390110171110	
	R 720	GJ121609791	C.RESISTOR	100K 1/10W 5%			S 854	QSW0707-001Z	TACT SWITCH	GJ390110171110	
	R 721	GJ121605791	C.RESISTOR	2.2K 1/10W 5% T			S 855	QSW0707-001Z	TACT SWITCH	GJ390110171110	

■ Electrical parts list (System CPU board)

Block No. 02

△	Item	Parts number	Parts name	Remarks	Area
	S 856	QSW0707-001Z	TACT SWITCH	GJ390110171110	
	S 857	QSW0707-001Z	TACT SWITCH	GJ390110171110	
	S 858	QSW0707-001Z	TACT SWITCH	GJ390110171110	
	S 865	QSW0707-001Z	TACT SWITCH	GJ390110171110	
	S 866	GJ390030152203	PUSH SWITCH	PSG-22F0US-Q3.5	
	VR302	QVQ0121-A54	MAIN VOL	GJ299000490002	
	WR701	GJ354004030205	WIRE	CN704 TO CD DOR	
	WR702	GJ354004040105	WIRE	CN702 TO MAIN	
	X 701	QAX0410-001Z	CERA LOCK	MIZCRHF 4.19MHZ	

Packing materials and accessories parts list



■ Packing parts list

Block No. M4MM

△	Item	Parts number	Parts name	Q'ty	Description	Area
	P 1	GJ560340040101	CUSHION (L)	1		
	P 2	GJ560340050101	CUSHION (R)	1		
	P 3	GJ560340220101	CARTON	1	RC-BZ5LB	
		GJ560340210101	CARTON	1	RC-BZ5RD	
	P 4	QPA02503503P	POLY BAG	1	250X350	
	P 5	GJ740456520300	POLY BAG PE	1	450X650	
	P 6	QPA01202505	POLY BAG	1	120X250	
	P 7	GJ740082550400	POLY BAG	1		
	P 8	GJ772005360101	BAR CODE LABEL	1		
	P 11	GJ772007570301	UT LABEL	1	RCBZ5RD	UT
		GJ772006620101	UY LABEL	1		UY
		GJ772007570201	UT LABEL	1	RCBZ5LB	UT

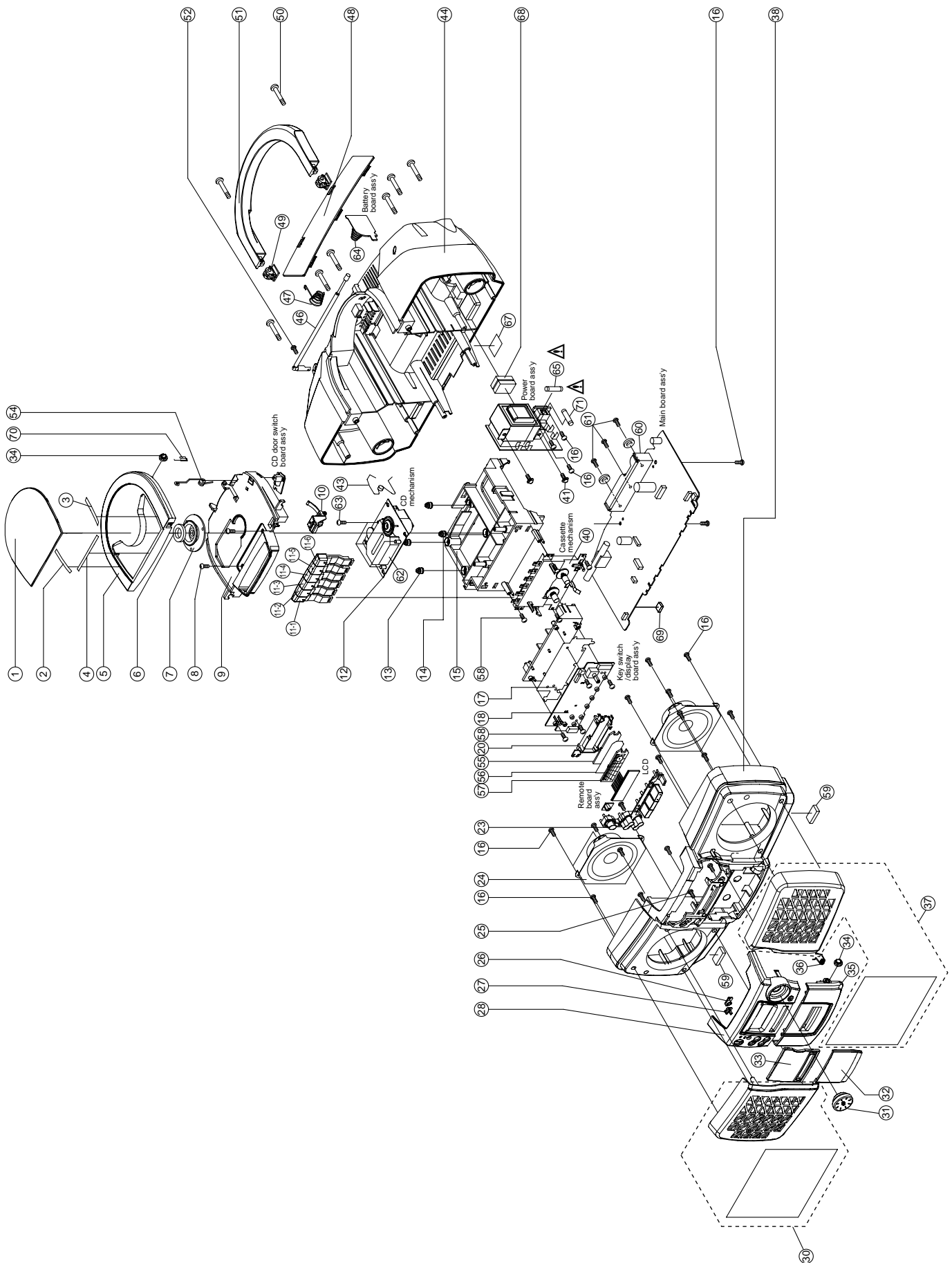
■ Accessories parts list

Block No. M5MM

△	Item	Parts number	Parts name	Q'ty	Description	Area
△	A 1	QMPS050-183-JC	POWER CORD	1		UY
△		QMP39F0-183JE	POWER CORD	1		U,US,UZ
△		QMP7350-150J5	POWER CORD	1		UX,UT
△	A 2	QAM0060-001	SIEMENS PLUG	1		U,US,UZ
△		ENZ2203-001	SIEMENS PLUG	1		UX,UT
	A 3	GJ773012200601	INS MANUAL	1	ARA	UX
		GJ773012200501	INS MANUAL	1	ENG SPA CHI(TAIWAN)	U,US,UT,UX,UY,UZ
	A 4	GJA1002020001C	REMOCON UNIT	1		UX
		GJA1002022001C	REMOCON UNIT	1		U,US,UT,UY,UZ
	A 5	GJ460340320101	BATTERY COVER	1	FOR REMOTE CONT.	
	A 6	-----	BATTERY	2		

Exploded view of general assemble and parts list

Block No. M 1 M M



■ Parts list (General assembly)

Block No. M1MM

△	Item	Parts number	Parts name	Q'ty	Description	Area
	1	GJ460340470101	LENS CD DOOR	1		
	2	GJ670000010330	D.SPACER	1	65X3.5	
	3	GJ670000010340	D.SPACER	1	65X3.5	
	4	GJ670000010350	D.SPACER	1	110-3.0	
	5	GJ460340120101	DOOR CD	1		
	6	VYH7313-005	MAGNET	1		
	7	LV30175-001A	CLAMPER	1		
	8	GJ702224301242	SCREW TT3X12	2	FOR CD CASE	
	9	GJ460340160101	CD CASE	1		
	10	GJ460340020101	BUTTON	1	OPEN	
	11-1	GJ460340040101	BUTTON(A)MECHA.	1	PAUSE	
	11-2	GJ460340050101	BUTTON(B)MECHA.	1	STOP	
	11-3	GJ460340060101	BUTTON(C)MECHA.	1	FF	
	11-4	GJ460340070101	BUTTON(D)MECHA.	1	REW	
	11-5	GJ460340080101	BUTTON(E)MECHA.	1	PLAY	
	11-6	GJ460340090101	BUTTON(F)MECHA.	1	REC	
	12	-----	CD UNIT EXL-M7B	1	GJA1005002001C	
	13	E75609-001	INSULATOR	2	CD MECHA RED	
	14	E75609-002	INSULATOR	2	CD MECHA PURPLE	
	15	GJ460340170101	HOLDER CD	1		
	16	GJ702244301012	SCREW TT3X10	21	SPEAKE/MAIN PCB	
	17	GJ460340200101	HOLDER	1	CONTROL BOARD	
	18	GJ781000090101	SHIELD PLATE	1		
	20	GJ460340280101	HOLDER (2) LCD	1		
	23	GJ460340230101	FUNCTION KNOB	1		
	24	LE10010-005A	SPEAKER	2		
	25	GJ702244260812	SCREW TT2.6X8	2	COVER-FRONT	
	26	GJ460340030101	LENS	1	REMOTE SENSOR	
	27	GJ460340260101	LENS	1	LED	
	28	GJ460340340101	FRONT COVER	1		
	30	GJ0005-SPGR	SPEAKER GRILLE	1	SHIELD	
	31	GJ460340240101	VOLUME KNOB	1		
	32	GJ460340190101	C.DOOR LENS	1		
	33	GJ460340220101	FRONT LENS	1		
	34	VYH8007-001	GEAR DAMPER	2	DOOR	
	35	GJ460340180101	CASSETTE DOOR	1		
	36	LV40210-001A	DOOR SPRING	1		
	37	GJ0006-SPGR	SPEAKER GRILLE	1	SHIELD	
	38	GJ460340010101	FRONT CABINET	1		
	40	-----	DECK MECHANISM	1	TN-21ZVC-1800	
	41	GJ702264301412	SCREW TT3X14	2		
	43	GJ711001340101	SPRING	1	ANT CONTACT	
	44	GJ460340360101	REAR CABINET	1		
	46	TA46174	T.PICK ANTENNA	1		
	47	VYH5657-006	BATTERY SPRING	1	SIZE D	
	48	LV20082-001A	BATTERY COVER	1		
	49	VYH8008-001	HANDLE SUPPORT	2		
	50	GJ702244304512	SCREW TT3X45	8		

■ Parts list (General assembly)

Block No. M1MM

△	Item	Parts number	Parts name	Q'ty	Description	Area
	51	GJ460340150101	HANDLE	1		
	52	GJ701224300852	SCREW M3X8	1		
	54	GJ711001330201	SPRING	1		
	55	LV40379-001A	LCD LENS 2	1	DECK/KEY P.C.B	
	56	LV40213-001A	LCD SHEET	1		
	57	LV40200-001A	LCD LENS	1		
	58	GJ702244300812	SCREW TT3X8	8		
	59	GJ782000090101	FOOT RUBBER	2		
	60	LV30176-001A	HEAT SINK	1		
	61	QYSDSF3008Z	SCREW	3	HEAT SINK	
	62	202-300002-00	CD COVER PLATE	1		
	63	GJ702224200642	SCREW TT2X6	4	CD COVER	
	64	VYH5483-001	BATTERY SPRING	1		
△	65	QMF51E2-2R5-J1	FUSE	1	250V 2.5A F902	
	67	GJ560340070301	NAME PLATE	1		UX
		GJ560340070701	NAME PLATE	1		U,US,UY
		GJ560340070401	NAME PLATE	1		UT
	68	GJ782000090101	RUBBER SPACER	1		
	69	GJ761000200100	SPACER	1		
	70	GJ560340240101	GEAR SPRING	1		
△	71	QMF51E2-R40-J1	FUSE	1	250V 0.4A F901	

■ Parts list (Cassette mechanism assembly)

Block No. M2MM

△	Item	Parts number	Parts name	Q'ty	Description	Area
	1	192114316T	BASE ASS'Y	1		
	2	19211409T	SWITCH ACTUATOR	1		
	3	19211408T	LOCK CAM	1		
	4	19211403T	REC BUTT.LEVER	1		
	5	19211419T	PLAY BUTT.LEVER	1		
	6	19211404T	REW BUTT. LEVER	1		
	7	19211405T	FF BUTTON LEVER	1		
	8	19211406T	STOP BUTT.LEVER	1		
	9	19211460T	PAUSE BUT.LEVER	1		
	10	19211413AT	SPRING	1	PAUSE LEVER	
	11	19211455T	PAUSE LEVER (E)	1		
	12	19211412T	SPRING	1	PAUSE LEVER	
	13	19211411T	PAUSE STOPPER	1		
	14	19211414T	TORSION SPRING	1		
	15	192101501T	CHASSIS ASS'Y	1		
	16	19211416T	TORSION SPRING	1		
	17	19211417T	TORSION SPRING	1		
	19	182101159T	E.KICK LEVER	1		
	20	19211420T	STOPPER	1		
	21	19211421T	TORSION SPRING	1	REC BUTTON	
	22	19211415T	TORSION SPRING	1	BUTTON LEVER	
	23	MSW-1541T	LEAF SWITCH	1	640101149T	
	24	18210150T	TENSION SPRING	1	PLAY BUTTON	
	25	19210311T	HEAD PANEL	1		
	26	19210304AT	HEAD BASE	1		
	27	19210309T	PANEL P SPRING	1		
	28	19210305T	MAGNET HEAD ARM	1		
	29	18210307T	AZIMUTH SPRING	1	AZIMUTH	
	30	19211418AT	SPRING	1	M CONTROL	
	31	19210310T	MG ARM SPRING	1	MG ARM	
	32	192104309T	P.ROLLER ARM	1		
	35	19212604AT	SENSING LEVER	1		
	36	19212605T	TORSION SPRING	1	GEAR PLATE	
	37	192126502T	GEAR PLATE	1		
	38	19212602T	CAM GEAR	1		
	40	192107304T	R.F.CLUTCH	1		
	41	19210703T	REW/F.F. BELT	1		
	43	192109303T	FLYWHEEL ASS'Y	1		
	45	18211070T	F.FORWARD GEAR	1		
	46	18211099T	BACK TENSION SP	1		
	47	192105304T	S.REEL ASS'Y	1		
	48	192105303T	T.REEL ASS'Y	1		
	49	19210506T	SENSOR	1		
	51	18211289AT	MOTOR BRACKET	1		
	53	19211202T	COLLAR SCREW	2	SP MOTOR 3X6	
	54	19211201T	MOTOR PULLEY	1		
	55	19210904T	MAIN BELT	1		
	56	19211203T	MB SCREW	1	SP MB 2X	

■ Parts list (Cassette mechanism assembly)

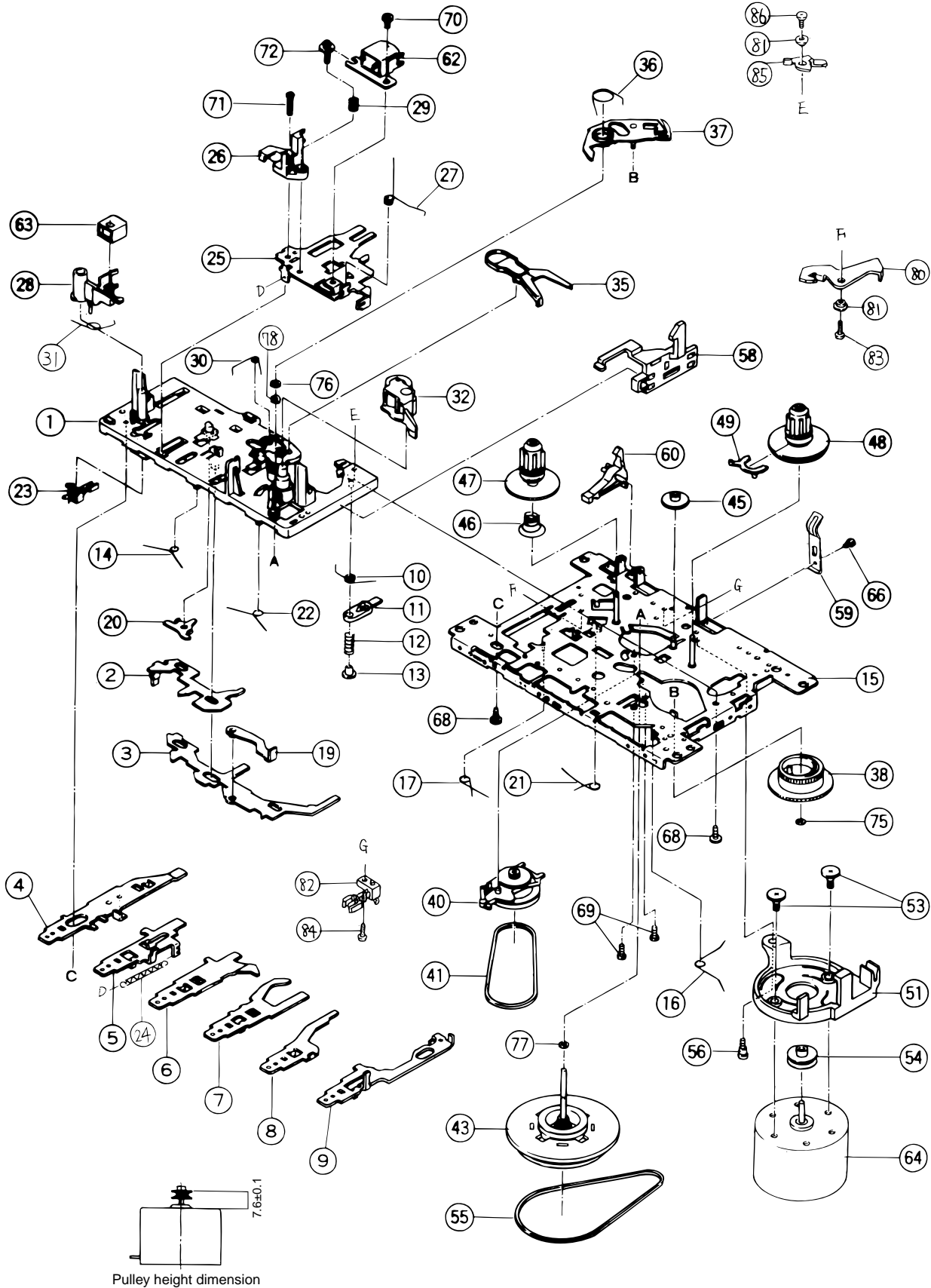
Block No. M2MM

△	Item	Parts number	Parts name	Q'ty	Description	Area
	58	19211301T	EJ.SLIDE LEVER	1		
	59	18211093T	PACK SPRING	1	GJ711000820103	
	60	18211069T	REC.SAF.LEVER	1		
	62	MS15R-AA2N1	R/P.HEAD	1		
	63	PH-K380-MS1-6A	ERASE HEAD	1	GJ382070110003	
	64	60020217T	MOTOR	1		
	66	9P0420031T	TAPPING SCREW	1	PACK SPRING	
	68	9B1020051T	TAPPING SCREW	2	(2X5)	
	69	9C0720451T	TAPPING SCREW	2	(2X4.5)	
	70	9B0120031T	SCREW (+) BIND	1	(2X3)	
	71	9P0120061T	SCREW	1	(2X6)	
	72	9F0820071T	SCREW AZIMUTH	1	(2X7)	
	75	9W0230010T	P.CUT WASHER	1	(12X3.8X0.3)	
	76	9W0250010T	P.CUT WASHER	1	(1.45X3.8X0.5)	
	77	9W0140010T	P.CUT WASHER	1	(2X3.5X0.4)	
	78	9W0113020T	P.CUT WASHER	1	(2X3.5X0.4)	
	80	19210201T	REC ARM	1		
	81	19211437T	P ARM COLLAR	2		
	82	64010138T	LEAF SWITCH	1		
	83	9P0420041T	C TAPPING SCREW	1	(2X4)	
	84	9P0420051T	C TAPPING SCREW	1	(2X5)	
	85	19211434T	P.ROLLER ARM	1		
	86	9P0820301T	PA TAPPIN.SCREW	1	(2X3)	

Cassette mechanism assembly and parts list

TN-21ZVC-1800

Block No. M 2 M M

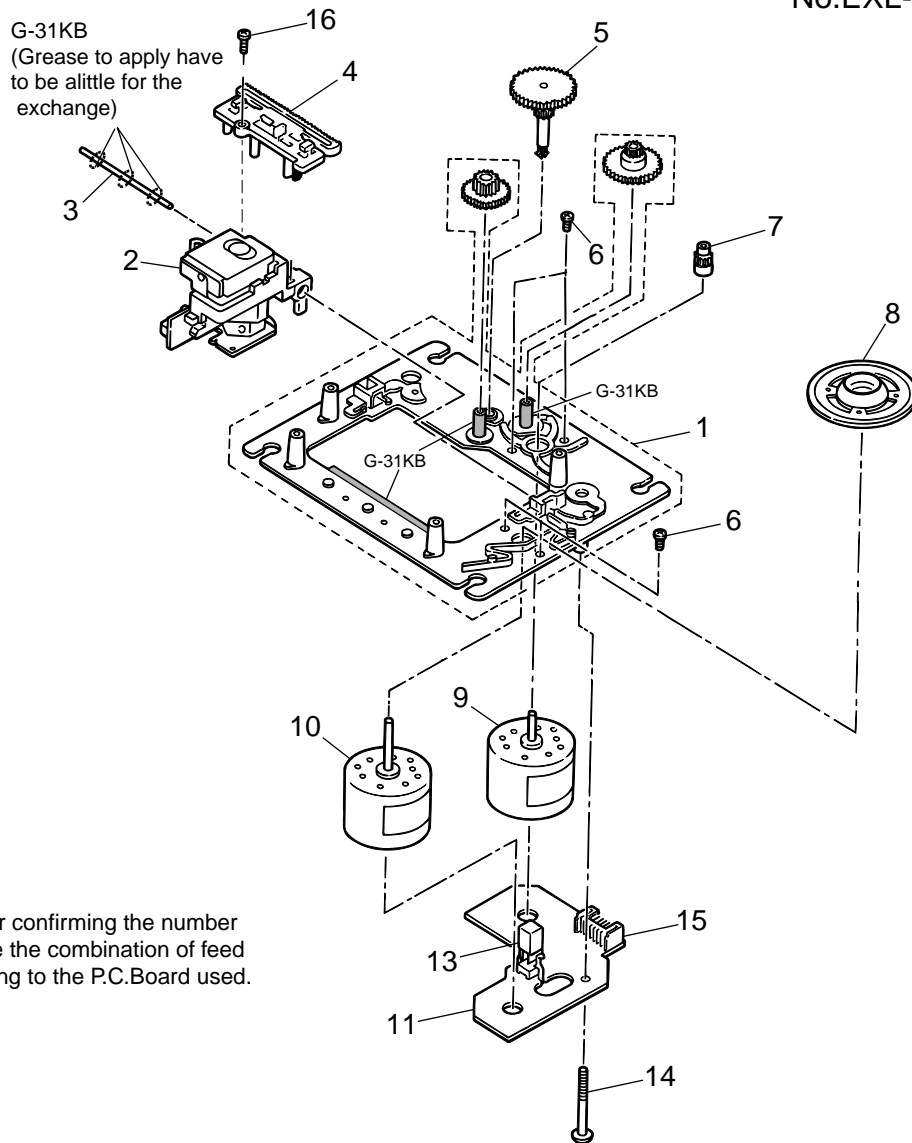


CD mechanism assembly and parts list

Grease Point

Block No. **M 3 M M**

No. EXL-M7B



NOTE

Please order motor after confirming the number of the P.C.Board because the combination of feed motor is different according to the P.C.Board used.

Parts list (CD mechanism assembly)

Block No. **M3MM**

Item	Parts number	Parts name	Q'ty	Description	Area
1	GJ560280020101	MECHA BASE	1	E102731-221SMKP	
2	OPTIMA-7B	C.D PICK	1		
3	E407782-001	PICK SHAFT	1		
4	E307746-001	CD RACK GEAR	1	GEAR SHAFT	
5	GJ560280010101	MECHA GEAR	1	E307745-221SS	
6	GJ50312003102	SCREW M2X3 B/H	4	SDSP2003N	
7	E406750-001	PINION GEAR	1		
8	GJA2062001001C	CD TURN TABLE	1	EPB-001PK	
9	GJ90028678400	FEED MOTOR	1	E406784-001	
10	GJ90028678300	SPINDLE MOTOR	1	QAR0130-001	
11	EMW10190-001/S/	MECH CIR BOARD	1		
13	GJ157208512	LEAF SWITCH	1		
14	GJ50322623312	SPECIAL SCREW	1	E75832-221SS	
15	GJ51206010101	6P PLUG ASSY	1	EMV5109-006B	
16	SDSF2006Z	SCREW	1		

Electrical parts list

■ Electrical parts list (Main board)

Block No. 01

△	Item	Parts number	Parts name	Remarks	Area	△	Item	Parts number	Parts name	Remarks	Area
	C 3	GJ264130392101	C.CAPACITOR	50V SL K 3.9PF			C 130	GJ260772212412	C.CAPACITOR	C 50V SL J 220P	
	C 6	GJ264271032101	C.CAPACITOR	16V Y M 0.01UF			C 134	GJ283105622432	M.CAPACITOR	50V K 0.0056UF	
	C 7	GJ264141022101	C.CAPACITOR	50V B K 1000PF			C 155	GJ264141812101	C.CAPACITOR	50V B K 180PF	
	C 9	GJ264031202101	A.CAPACITOR	50V SL J 12PF			C 201	GJ283101022432	M.CAPACITOR	50V K 0.001UF	
	C 13	GJ262102232402	C.CAPACITOR	25V YR K 0.022U			C 202	GJ283105622432	M.CAPACITOR	50V K 0.0056UF	
	C 16	GJ264271032101	C.CAPACITOR	16V Y M 0.01UF			C 203	GJ270122260332	E.CAPACITOR	16V M 22UF	
	C 21	GJ262104732402	C.CAPACITOR	25V YR K 0.047U			C 204	GJ282033932415	M.CAPACITOR	50V J 0.039UF	
	C 22	GJ285214312415	M.CAPACITOR	PP 100V J 430PF			C 207	GJ270194750332	E.CAPACITOR	50V M 4.7UF	
	C 23	GJ264081202101	C.CAPACITOR	50V CH J 12PF			C 208	GJ270191050332	E.CAPACITOR	50V M 1UF	
	C 31	GJ264141022101	C.CAPACITOR	50V B K 1000PF			C 209	GJ283108232432	M.CAPACITOR	50V K 0.082UF	
	C 32	GJ264271032101	C.CAPACITOR	16V Y M 0.01UF			C 210	GJ283108232432	M.CAPACITOR	50V K 0.082UF	
	C 33	GJ270111070332	E.CAPACITOR	10V M VX 100UF			C 211	GJ283106822432	M.CAPACITOR	50V K 0.0068UF	
	C 35	GJ270191040332	E.CAPACITOR	50V M 0.1UF			C 212	GJ282034742415	M.CAPACITOR	50V J 0.47UF	
	C 36	GJ270194750332	E.CAPACITOR	50V M 4.7UF			C 213	GJ283102232432	M.CAPACITOR	50V K 0.022UF	
	C 37	GJ264141022101	C.CAPACITOR	50V B K 1000PF			C 214	GJ270122260332	E.CAPACITOR	16V M 22UF	
	C 38	GJ264271032101	C.CAPACITOR	16V Y M 0.01UF			C 215	GJ270191040332	E.CAPACITOR	50V M 0.1UF	
	C 40	GJ264271032101	C.CAPACITOR	16V Y M 0.01UF			C 217	GJ270191050332	E.CAPACITOR	50V M 1UF	
	C 41	GJ270194750332	E.CAPACITOR	50V M 4.7UF			C 219	GJ270194750332	E.CAPACITOR	50V M 4.7UF	
	C 42	GJ262104732402	C.CAPACITOR	25V YR K 0.047U			C 220	GJ270121070332	E.CAPACITOR	16V M 100UF	
	C 43	GJ270191040332	E.CAPACITOR	50V M 0.1UF			C 221	GJ264142212101	C.CAPACITOR	50V B K 220PF	
	C 44	GJ270191050332	E.CAPACITOR	50V M 1UF			C 222	GJ270121070332	E.CAPACITOR	16V M 100UF	
	C 45	GJ270191040332	E.CAPACITOR	50V M 0.1UF			C 223	GJ270122280132	E.CAPACITOR	16V M 2200UF	
	C 47	GJ262101532402	C.CAPACITOR	25V YR K 0.015U			C 224	GJ283101042432	M.CAPACITOR	50V K 0.1UF	
	C 48	GJ262101532402	C.CAPACITOR	25V YR K 0.015U			C 225	GJ270122260332	E.CAPACITOR	16V M 22UF	
	C 49	GJ270191040332	E.CAPACITOR	50V M 0.1UF			C 230	GJ260772212412	C.CAPACITOR	C 50V SL J 220P	
	C 50	GJ270191040332	E.CAPACITOR	50V M 0.1UF			C 234	GJ283105622432	M.CAPACITOR	50V K 0.0056UF	
	C 51	GJ264143312101	C.CAPACITOR	AXIAL 50V B K 3			C 255	GJ264141812101	C.CAPACITOR	50V B K 180PF	
	C 52	GJ264141022101	C.CAPACITOR	50V B K 1000PF			C 303	GJ260771512412	C.CAPACITOR	50V SL J 150PF	
	C 56	GJ264141022101	C.CAPACITOR	50V B K 1000PF			C 304	GJ270114760332	E.CAPACITOR	10V M 47UF	
	C 60	GJ264141022101	C.CAPACITOR	50V B K 1000PF			C 305	GJ270122260332	E.CAPACITOR	16V M 22UF	
	C 61	GJ270111070332	E.CAPACITOR	10V M VX 100UF			C 306	GJ270111070332	E.CAPACITOR	10V M VX 100UF	
	C 62	GJ264081202101	C.CAPACITOR	50V CH J 12PF			C 308	GJ260771812412	C.CAPACITOR	50V SL J 180PF	
	C 63	GJ264141022101	C.CAPACITOR	50V B K 1000PF			C 309	GJ264261822101	C.CAPACITOR	16V X M 0.0018U	
	C 64	GJ264081202101	C.CAPACITOR	50V CH J 12PF			C 310	GJ283101822432	M.CAPACITOR	50V K 0.0018UF	
	C 65	GJ264141022101	C.CAPACITOR	50V B K 1000PF			C 312	GJ283106822432	M.CAPACITOR	50V K 0.0068UF	
	C 69	GJ264262222101	A.CAPACITOR	16V X M 0.0022U			C 313	GJ270114760332	E.CAPACITOR	10V M 47UF	
	C 70	GJ270192250332	E.CAPACITOR	50V M 2.2UF			C 315	GJ283104722432	M.CAPACITOR	50V K 0.0047UF	
	C 71	GJ270121060332	E.CAPACITOR	16V M 10UF			C 318	GJ270146880132	E.CAPACITOR	25V VX M 6800UF	
	C 77	GJ264141022101	C.CAPACITOR	50V B K 1000PF			C 319	GJ270141060332	E.CAPACITOR	25V M 10UF	
	C 80	GJ264141512101	C.CAPACITOR	50V B K 150PF			C 320	GJ270122270332	E.CAPACITOR	16V M 220UF	
	C 98	GJ264141012101	C.CAPACITOR	50V B K 100PF			C 321	GJ270111070332	E.CAPACITOR	10V M VX 100UF	
	C 99	GJ264141012101	C.CAPACITOR	50V B K 100PF			C 322	GJ264141022101	C.CAPACITOR	50V B K 1000PF	
	C 101	GJ283101022432	M.CAPACITOR	50V K 0.001UF			C 323	GJ270111070332	E.CAPACITOR	10V M VX 100UF	
	C 102	GJ283105622432	M.CAPACITOR	50V K 0.0056UF			C 324	GJ283101022432	M.CAPACITOR	50V K 0.001UF	
	C 103	GJ270122260332	E.CAPACITOR	16V M 22UF			C 325	GJ270111070332	E.CAPACITOR	10V M VX 100UF	
	C 104	GJ282033932415	M.CAPACITOR	50V J 0.039UF			C 326	GJ270111070332	E.CAPACITOR	10V M VX 100UF	
	C 107	GJ270194750332	E.CAPACITOR	50V M 4.7UF			C 327	GJ270111070332	E.CAPACITOR	10V M VX 100UF	
	C 108	GJ270191050332	E.CAPACITOR	50V M 1UF			C 328	GJ270191050332	E.CAPACITOR	50V M 1UF	
	C 109	GJ283108232432	M.CAPACITOR	50V K 0.082UF			C 329	GJ270191040332	E.CAPACITOR	50V M 0.1UF	
	C 110	GJ283108232432	M.CAPACITOR	50V K 0.082UF			C 330	GJ270194750332	E.CAPACITOR	50V M 4.7UF	
	C 111	GJ283106822432	M.CAPACITOR	50V K 0.0068UF			C 350	GJ270194750332	E.CAPACITOR	50V M 4.7UF	
	C 112	GJ282034742415	M.CAPACITOR	50V J 0.47UF			C 352	GJ270111070332	E.CAPACITOR	10V M VX 100UF	
	C 113	GJ283102232432	M.CAPACITOR	50V K 0.022UF			C 353	GJ270121060332	E.CAPACITOR	16V M 10UF	
	C 114	GJ270122260332	E.CAPACITOR	16V M 22UF			C 354	GJ270112270332	E.CAPACITOR	10V M 220UF	
	C 115	GJ270191040332	E.CAPACITOR	50V M 0.1UF			C 356	GJ270122260332	E.CAPACITOR	16V M 22UF	
	C 117	GJ270191050332	E.CAPACITOR	50V M 1UF			C 357	GJ270122260332	E.CAPACITOR	16V M 22UF	
	C 119	GJ270194750332	E.CAPACITOR	50V M 4.7UF			C 371	GJ264141022101	C.CAPACITOR	50V B K 1000PF	
	C 120	GJ270121070332	E.CAPACITOR	16V M 100UF			C 604	GJ270111070332	E.CAPACITOR	10V M VX 100UF	
	C 121	GJ264142212101	C.CAPACITOR	50V B K 220PF			C 605	GJ270141060332	E.CAPACITOR	25V M 10UF	
	C 122	GJ270121070332	E.CAPACITOR	16V M 100UF			C 606	GJ264141022101	C.CAPACITOR	50V B K 1000PF	
	C 123	GJ270122280132	E.CAPACITOR	16V M 2200UF			C 607	GJ264141022101	C.CAPACITOR	50V B K 1000PF	
	C 124	GJ283101042432	M.CAPACITOR	50V K 0.1UF			C 608	GJ270191050332	E.CAPACITOR	50V M 1UF	
	C 125	GJ270122260332	E.CAPACITOR	16V M 22UF			C 609	GJ264141012101	C.CAPACITOR	50V B K 100PF	

■ Electrical parts list (Main board)

Block No. 01

△	Item	Parts number	Parts name	Remarks	Area	△	Item	Parts number	Parts name	Remarks	Area
	C 610	GJ282032732415	M.CAPACITOR	50V J 0.027UF			CM 2	GJ264141512101	C.CAPACITOR	50V B K 150PF	
	C 611	GJ264264722101	A.CAPACITOR	16V X M 0.0047U			CM 3	GJ270111070332	E.CAPACITOR	10V M VX 100UF	
	C 612	GJ264271032101	C.CAPACITOR	16V Y M 0.01UF			CM 4	GJ262101032402	CAP C	25V YR K 0.01UF	
	C 613	GJ264143312101	C.CAPACITOR	AXIAL 50V B K 3			CM 5	GJ283101042432	M.CAPACITOR	50V K 0.1UF	US,UT,UX,UY
	C 614	GJ282031042415	M.CAPACITOR	50V J 0.1UF			CM 6	GJ283101042432	M.CAPACITOR	50V K 0.1UF	US,UT,UX,UY
	C 615	GJ264182232101	C.CAPACITOR	25V F Z 0.022UF			CN301	GJ156450711	CONNECTOR	4PINS ST	
	C 616	GJ264182232101	C.CAPACITOR	25V F Z 0.022UF			CN303	QGF1212C1-13	FFC CONNE	13PINS	
	C 617	GJ264182232101	C.CAPACITOR	25V F Z 0.022UF			CN304	QGF1212C1-17	FFC CONNE	17PINS	
	C 618	GJ264262222101	A.CAPACITOR	16V X M 0.0022U			CN306	TID-X03P-MI	CONNECTOR	3 PINS RA WHIT	
	C 619	GJ264142712101	A.CAPACITOR	AXIAL 50V B K 2			CN307	5268-03A	CONNECTOR	3PINS RA	
	C 620	GJ264141812101	C.CAPACITOR	50V B K 180PF			CN308	GJ156450911	CONNECTOR	6PINS ST	
	C 622	GJ270114760332	E.CAPACITOR	10V M 47UF			CN309	GJ158016511	TRANSISTOR	4PINS ST	
	C 623	GJ282031042415	M.CAPACITOR	50V J 0.1UF			CN310	QGA2501C3-03Z	CONNECTOR IM	GJ156450611	
	C 628	GJ262104732402	C.CAPACITOR	25V YR K 0.047U			CN601	QGF1025C1-15	21-41 CONNECTOR	15PIN	
	C 629	GJ270111070332	E.CAPACITOR	10V M VX 100UF			D 1	SVC203SPA-JV-T	VARI CAP	VARIABLE FM CAP	
	C 631	GJ270114770332	E.CAPACITOR	10V M 470UF			D 2	SVC203SPA-JV-T	VARI CAP	VARIABLE FM CAP	
	C 632	GJ270111070332	E.CAPACITOR	10V M VX 100UF			D 5	1SS133Y	DIODE	GJ871999133	
	C 640	GJ264278222101	C.CAPACITOR	16V X M 0.0082U			D 6	1SS133Y	DIODE	GJ871999133	
	C 641	GJ264182232101	C.CAPACITOR	25V F Z 0.022UF			D 8	KV1555N-T	VARI CAPACITOR	VARIABLE AM CAP	
	C 651	GJ264032202101	C.CAPACITOR	50V SL J 22PF			D 12	IN4001	DIODE	RECT 1N4001 BUL	
	C 652	GJ264032202101	C.CAPACITOR	50V SL J 22PF			D 301	1SS133Y	DIODE	GJ871999133	
	C 653	GJ264182232101	C.CAPACITOR	25V F Z 0.022UF			D 303	1SS133Y	DIODE	GJ871999133	
	C 655	GJ262104732402	C.CAPACITOR	25V YR K 0.047U			D 304	1SS133Y	DIODE	GJ871999133	
	C 661	GJ264144712101	C.CAPACITOR	50V B K 470PF			D 305	1SS133Y	DIODE	GJ871999133	
	C 662	GJ264182232101	C.CAPACITOR	25V F Z 0.022UF			D 307	1SS133Y	DIODE	GJ871999133	
	C 663	GJ282032232415	M.CAPACITOR	50V J 0.022UF			D 661	1SS133Y	DIODE	GJ871999133	
	C 664	GJ264182232101	C.CAPACITOR	25V F Z 0.022UF			△ D 901	1N5401-M	SI DIODE	GJ871903152	
	C 665	GJ282031042415	M.CAPACITOR	50V J 0.1UF			△ D 902	1N5401-M	SI DIODE	GJ871903152	
	C 671	GJ264262222101	A.CAPACITOR	16V X M 0.0022U			△ D 903	1N5401-M	SI DIODE	GJ871903152	
	C 672	GJ264262222101	A.CAPACITOR	16V X M 0.0022U			△ D 904	1N5401-M	SI DIODE	GJ871903152	
	C 673	GJ270112270332	E.CAPACITOR	10V M 220UF			D 905	1SS133Y	DIODE	GJ871999133	
	C 674	GJ264182232101	C.CAPACITOR	25V F Z 0.022UF			D 906	1SS133Y	DIODE	GJ871999133	
	C 675	GJ264141022101	C.CAPACITOR	50V B K 1000PF			D 907	1SS133Y	DIODE	GJ871999133	
	C 676	GJ264141022101	C.CAPACITOR	50V B K 1000PF			D 908	1SS133Y	DIODE	GJ871999133	
	C 690	GJ264271032101	C.CAPACITOR	16V Y M 0.01UF			D 909	1SS133Y	DIODE	GJ871999133	
	C 691	GJ264141512101	C.CAPACITOR	50V B K 150PF			D 910	1SS133Y	DIODE	GJ871999133	
	C 692	GJ264141512101	C.CAPACITOR	50V B K 150PF			D 911	1SS133Y	DIODE	GJ871999133	
	C 693	GJ264141512101	C.CAPACITOR	50V B K 150PF			D 912	IN4001	DIODE	RECT 1N4001 BUL	
	C 694	GJ264141512101	C.CAPACITOR	50V B K 150PF			D 914	1SS133Y	DIODE	GJ871999133	
	C 695	GJ264271032101	C.CAPACITOR	16V Y M 0.01UF			D 915	1SS133Y	DIODE	GJ871999133	
	C 696	GJ264141012101	C.CAPACITOR	50V B K 100PF			D 917	1SS133Y	DIODE	GJ871999133	
	C 697	GJ264141012101	C.CAPACITOR	50V B K 100PF			D 918	1SS133Y	DIODE	GJ871999133	
	C 698	GJ264141012101	C.CAPACITOR	50V B K 100PF			D 995	1SS133Y	DIODE	GJ871999133	
	C 699	GJ264141012101	C.CAPACITOR	50V B K 100PF			DM 1	1SS133Y	DIODE	GJ871999133	
	C 709	GJ270102280132	E.CAPACITOR	6.3V M 2200UF			DM 2	1SS133Y	DIODE	GJ871999133	
	C 901	GJ262772232412	C.CAPACITOR	50V F Z 0.022UF			FC901	QNG0003-001Z	FUSE CLIP	GJ153321741	
	C 902	GJ262772232412	C.CAPACITOR	50V F Z 0.022UF			FC902	QNG0003-001Z	FUSE CLIP	GJ153321741	
	C 903	GJ262772232412	C.CAPACITOR	50V F Z 0.022UF			FC904	QNG0003-001Z	FUSE CLIP	GJ153321741	
	C 904	GJ262772232412	C.CAPACITOR	50V F Z 0.022UF			FC905	QNG0003-001Z	FUSE CLIP	GJ153321741	
	C 905	GJ264271032101	C.CAPACITOR	16V Y M 0.01UF			FW 1	GJ353170240107	CABLE FFC 17PIN	CN304 TO CN701	
	C 906	GJ264271032101	C.CAPACITOR	16V Y M 0.01UF			FW 2	VWF1015-08TTA	FFC CABLE	CN601 TO CD	
	C 908	GJ264271032101	C.CAPACITOR	16V Y M 0.01UF			FW 3	GJ353130150107	CABLE FFC 13PIN	CN303 TO CN703	
	C 909	GJ270194750332	E.CAPACITOR	50V M 4.7UF			IC 1	TA2104AN	IC	DIP 24 IF&MPX	
	C 910	GJ270112270332	E.CAPACITOR	10V M 220UF			IC 2	LC72136N	IC	PLL IC	
	C 911	GJ270122260332	E.CAPACITOR	16V M 22UF			IC301	TA2068N	IC	GJ313020121101	
	C 912	GJ264271032101	C.CAPACITOR	16V Y M 0.01UF			△ IC302	LA4597K	IC	DIP POWER AMP	
	C 913	GJ264271032101	C.CAPACITOR	16V Y M 0.01UF			IC303	M62420SP-700	IC	GJ313060301112	
	C 914	GJ270112270332	E.CAPACITOR	10V M 220UF			IC304	BA15218N	IC	GJ313010021103	
	C 915	GJ270111070332	E.CAPACITOR	10V M VX 100UF			IC601	AN8806SB	IC	RF AMP	
	C 916	GJ270114760332	E.CAPACITOR	10V M 47UF			IC602	BA6897FP	IC	POWER DRIVER	
	CF 1	QAX0403-001	C FILTER	CER FM 10.7M			IC603	MN35510	IC	1 CHIP PROCISSE	
	CF 3	QAX0538-001Z	CRYSTAL	CER FM CDA10.7			△ J 9	QNC0042-001	AC SOCKET	250V 2.5A	
	CM 1	GJ283101042432	M.CAPACITOR	50V K 0.1UF			J 301	GJ342010200113	JACK	H/P MSJ2000 (BL	

■ Electrical parts list (Main board)

Block No. 01

△	Item	Parts number	Parts name	Remarks	Area	△	Item	Parts number	Parts name	Remarks	Area
	K 1	QQR0779-001Z	INDUCTOR	GJVQZ0048009			R 39	GJ250081212103	CF RESISTOR	1/6W J 120	
	K 601	QQR0779-001Z	INDUCTOR	GJVQZ0048009			R 42	GJ250084732103	CARBON RESISTOR	1/6W J 47K	
	K 602	QQR0779-001Z	INDUCTOR	GJVQZ0048009			R 44	GJ250082222103	CARBON RESISTOR	1/6W J 2.2K	
	L 1	VQF1B20-019	OSC COIL	FM OSC			R 46	GJ250081032103	CARBON RESISTOR	1/6W J 10K	
	L 2	VQC1505-002L	RF COIL	FM RF			R 47	GJ250082202103	CARBON RESISTOR	1/6W J 22	
	L 3	VQB008M-506	BAR ANTENA	GJVQB008M506			R 48	GJ250081022103	CARBON RESISTOR	1/6W J 1K	
	L 4	QQR0723-001	OSC COIL	AM OSC 7.5MM RE			R 49	GJ250081832103	CARBON RESISTOR	1/6W J 18K	
	L 7	VQP0018-221	INDUCTOR	220UH 10% Q40			R 50	GJ250081832103	CARBON RESISTOR	1/6W J 18K	
	L 10	QQL231K-4R7Y	INDUCTOR	4.7UH			R 52	GJ250084722103	CARBON RESISTOR	1/6W J 4.7K	
	L 12	V03047-16	RF COIL	SPRING CW			R 54	GJ250082222103	CARBON RESISTOR	1/6W J 2.2K	
	L 601	3A839N	INDUCTOR	10UH RADIAL LEA			R 55	GJ250082222103	CARBON RESISTOR	1/6W J 2.2K	
	L 602	GJ141033431	INDUCTOR	100UH 10% Q40			R 56	GJ250083322103	CARBON RESISTOR	1/6W J 3.3K	
	L 901	VQP0028-330Z	INDUCTOR	33UH EL0606RA			R 57	GJ250081022103	CARBON RESISTOR	1/6W J 1K	
	Q 1	2SC2668/O/T	TRANSISTOR	GJ312020351201			R 59	GJ250081022103	CARBON RESISTOR	1/6W J 1K	
	Q 101	2SC2001/LK/-T	TRANSISTOR	GJ872914247			R 60	GJ250081022103	CARBON RESISTOR	1/6W J 1K	
	Q 103	2SC3330/ST/-T	TRANSISTOR	GJ312030091201			R 61	GJ250081022103	CARBON RESISTOR	1/6W J 1K	
	Q 201	2SC2001/LK/-T	TRANSISTOR	GJ872914247			R 63	GJ250084732103	CARBON RESISTOR	1/6W J 47K	
	Q 203	2SC3330/ST/-T	TRANSISTOR	GJ312030091201			R 64	GJ250081022103	CARBON RESISTOR	1/6W J 1K	
	Q 302	KRA102M-T	D.TRANSISTOR	GJ872903715			R 101	GJ250083022103	CARBON RESISTOR	1/6W J 3.0K	
	Q 303	2SC2458/YG/-T	TRANSISTOR	GJ872923044			R 102	GJ250081022103	CARBON RESISTOR	1/6W J 1K	
	Q 304	2SA1015/YG/-T	TRANSISTOR	GJ872923115			R 103	GJ250081822103	CARBON RESISTOR	1/6W J 1.8K	
	Q 305	KRC102M-T	D.TRANSISTOR	GJ872903658			R 104	GJ250083322103	CARBON RESISTOR	1/6W J 3.3K	
	Q 306	8550C	TRANSISTOR	GJ312080042204			R 106	GJ250088232103	CARBON RESISTOR	1/6W J 82K	
	Q 308	DTC143ES	TRANSISTOR	GJ872922166			R 107	GJ250088202103	RES CF	1/6W J 82	
	Q 309	2SC2458/YG/-T	TRANSISTOR	GJ872923044			R 108	GJ250081532103	CARBON RESISTOR	1/6W J 15K	
	Q 310	DTC143ESA-T	TR I/M	GJ872902947			R 109	GJ250081822103	CARBON RESISTOR	1/6W J 1.8K	
	Q 311	2SC2001/LK/-T	TRANSISTOR	GJ872914247			R 110	GJ250081822103	CARBON RESISTOR	1/6W J 1.8K	
	Q 312	2SC2001/LK/-T	TRANSISTOR	GJ872914247			R 111	GJ250085622103	CARBON RESISTOR	1/6W J 5.6K	
	Q 313	2SC2001/LK/-T	TRANSISTOR	GJ872914247			R 112	GJ250082242103	CARBON RESISTOR	1/6W J 220K	
	Q 315	2SC2458/YG/-T	TRANSISTOR	GJ872923044			R 113	GJ250082242103	CARBON RESISTOR	1/6W J 220K	
	Q 316	2SA1015/YG/-T	TRANSISTOR	GJ872923115			R 114	GJ250081532103	CARBON RESISTOR	1/6W J 15K	
	Q 317	2SC2458/YG/-T	TRANSISTOR	GJ872923044			R 116	GJ250081022103	CARBON RESISTOR	1/6W J 1K	
	Q 318	DTC143ESA-T	TR I/M	GJ872902947			R 117	GJ250081032103	CARBON RESISTOR	1/6W J 10K	
	Q 601	2SA952/LK/-T	TRANSISTOR	GJ312090101202			R 119	GJ250081042103	CARBON RESISTOR	1/6W J 100K	
	Q 631	2SA952/LK/-T	TRANSISTOR	GJ312090101202			R 120	GJ250081832103	CARBON RESISTOR	1/6W J 18K	
△	Q 901	2SB772/QP/	TRANSISTOR	GJ312070021102			R 121	GJ250088202103	RES CF	1/6W J 82	
	Q 902	2SC2458/YG/-T	TRANSISTOR	GJ872923044			R 122	GJ250082292103	C.RESISTOR	1/6W J 2.2	
△	Q 903	8550C	TRANSISTOR	GJ312080042204			R 123	GJ250081012103	CARBON RESISTOR	1/6W J 100	
	Q 904	2SC2458/YG/-T	TRANSISTOR	GJ872923044			R 124	GJ250082222103	CARBON RESISTOR	1/6W J 2.2K	
△	Q 906	8550C	TRANSISTOR	GJ312080042204			R 134	GJ250083922103	CARBON RESISTOR	1/6W J 3.9K	
	Q 907	2SC2458/YG/-T	TRANSISTOR	GJ872923044			R 136	GJ250082722103	CARBON RESISTOR	1/6W J 2.7K	
△	Q 908	2SB772/QP/	TRANSISTOR	GJ312070021102			R 137	GJ250086822103	CARBON RESISTOR	1/6W J 6.8K	
	Q 909	2SC2458/YG/-T	TRANSISTOR	GJ872923044			R 201	GJ250083022103	CARBON RESISTOR	1/6W J 3.0K	
	Q 911	2SC2458/YG/-T	TRANSISTOR	GJ872923044			R 202	GJ250081022103	CARBON RESISTOR	1/6W J 1K	
	QM 1	2SC2458/YG/-T	TRANSISTOR	GJ872923044			R 203	GJ250081822103	CARBON RESISTOR	1/6W J 1.8K	
	QM 2	2SC2458/YG/-T	TRANSISTOR	GJ872923044			R 204	GJ250083322103	CARBON RESISTOR	1/6W J 3.3K	
	R 1	GJ250081042103	CARBON RESISTOR	1/6W J 100K			R 206	GJ250088232103	CARBON RESISTOR	1/6W J 82K	
	R 2	GJ250084732103	CARBON RESISTOR	1/6W J 47K			R 207	GJ250088202103	RES CF	1/6W J 82	
	R 3	GJ250082702103	CARBON RESISTOR	1/6W J 27			R 208	GJ250081532103	CARBON RESISTOR	1/6W J 15K	
	R 4	GJ250084732103	CARBON RESISTOR	1/6W J 47K			R 209	GJ250081822103	CARBON RESISTOR	1/6W J 1.8K	
	R 7	GJ250081042103	CARBON RESISTOR	1/6W J 100K			R 210	GJ250081822103	CARBON RESISTOR	1/6W J 1.8K	
	R 9	GJ250081022103	CARBON RESISTOR	1/6W J 1K			R 211	GJ250085622103	CARBON RESISTOR	1/6W J 5.6K	
	R 13	GJ250081042103	CARBON RESISTOR	1/6W J 100K			R 212	GJ250082242103	CARBON RESISTOR	1/6W J 220K	
	R 18	GJ250081022103	CARBON RESISTOR	1/6W J 1K			R 213	GJ250082242103	CARBON RESISTOR	1/6W J 220K	
	R 20	GJ250081022103	CARBON RESISTOR	1/6W J 1K			R 214	GJ250081532103	CARBON RESISTOR	1/6W J 15K	
	R 24	GJ250086812103	CARBON RESISTOR	1/6W J 680			R 216	GJ250081022103	CARBON RESISTOR	1/6W J 1K	
	R 30	GJ250081832103	CARBON RESISTOR	1/6W J 18K			R 217	GJ250081032103	CARBON RESISTOR	1/6W J 10K	
	R 31	GJ250081042103	CARBON RESISTOR	1/6W J 100K			R 219	GJ250081042103	CARBON RESISTOR	1/6W J 100K	
	R 32	GJ250083322103	CARBON RESISTOR	1/6W J 3.3K			R 220	GJ250081832103	CARBON RESISTOR	1/6W J 18K	
	R 33	GJ250083312103	CARBON RESISTOR	1/6W J 330			R 221	GJ250088202103	RES CF	1/6W J 82	
	R 35	GJ250082732103	CARBON RESISTOR	1/6W J 27K			R 222	GJ250082292103	C.RESISTOR	1/6W J 2.2	
	R 36	GJ250082732103	CARBON RESISTOR	1/6W J 27K			R 223	GJ250081012103	CARBON RESISTOR	1/6W J 100	
	R 37	GJ250085602103	CARBON RESISTOR	1/6W J 56			R 224	GJ250082222103	CARBON RESISTOR	1/6W J 2.2K	

■ Electrical parts list (Main board)

Block No. 01

△	Item	Parts number	Parts name	Remarks	Area
	R 234	GJ250083922103	CARBON RESISTOR	1/6W J 3.9K	
	R 236	GJ250082722103	CARBON RESISTOR	1/6W J 2.7K	
	R 237	GJ250086822103	CARBON RESISTOR	1/6W J 6.8K	
	R 302	GJ250081032103	CARBON RESISTOR	1/6W J 10K	
	R 303	GJ250084752103	C.RESISTOR	1/6W J 4.7M	
	R 304	GJ250081032103	CARBON RESISTOR	1/6W J 10K	
	R 305	GJ250081822103	CARBON RESISTOR	1/6W J 1.8K	
	R 306	GJ250081822103	CARBON RESISTOR	1/6W J 1.8K	
	R 307	GJ250083322103	CARBON RESISTOR	1/6W J 3.3K	
	R 308	GJ250085622103	CARBON RESISTOR	1/6W J 5.6K	
	R 309	GJ250085622103	CARBON RESISTOR	1/6W J 5.6K	
	R 310	GJ250081232103	CARBON RESISTOR	1/6W J 12K	
	R 311	GJ250081012103	CARBON RESISTOR	1/6W J 100	
	R 312	GJ250084312103	C.RESISTOR	1/6W J 430	
	R 313	GJ250081202103	C.RESISTOR	1/6W J 12	
△	R 315	GJ250081012103	CARBON RESISTOR	1/6W J 100	
	R 316	GJ250083322103	CARBON RESISTOR	1/6W J 3.3K	
	R 317	GJ250081032103	CARBON RESISTOR	1/6W J 10K	
	R 318	GJ250081012103	CARBON RESISTOR	1/6W J 100	
△	R 319	GJ250081012103	CARBON RESISTOR	1/6W J 100	
	R 320	GJ250085622103	CARBON RESISTOR	1/6W J 5.6K	
	R 321	GJ250085622103	CARBON RESISTOR	1/6W J 5.6K	
	R 322	GJ250081042103	CARBON RESISTOR	1/6W J 100K	
	R 323	GJ250082222103	CARBON RESISTOR	1/6W J 2.2K	
	R 327	GJ250086822103	CARBON RESISTOR	1/6W J 6.8K	
	R 328	GJ250081032103	CARBON RESISTOR	1/6W J 10K	
	R 329	GJ250084722103	CARBON RESISTOR	1/6W J 4.7K	
	R 330	GJ250084722103	CARBON RESISTOR	1/6W J 4.7K	
	R 331	GJ250081012103	CARBON RESISTOR	1/6W J 100	
	R 332	GJ250081032103	CARBON RESISTOR	1/6W J 10K	
	R 356	GJ250081032103	CARBON RESISTOR	1/6W J 10K	
	R 360	GJ250081032103	CARBON RESISTOR	1/6W J 10K	
	R 361	GJ250084742103	CARBON RESISTOR	1/6W J 470K	
	R 371	GJ250081032103	CARBON RESISTOR	1/6W J 10K	
	R 372	GJ250083322103	CARBON RESISTOR	1/6W J 3.3K	
	R 373	GJ250081012103	CARBON RESISTOR	1/6W J 100	
	R 374	GJ250081042103	CARBON RESISTOR	1/6W J 100K	
	R 601	GJ250081132103	CARBON RESISTOR	CF 1/6W J 11K	
	R 603	GJ250081252103	FUSE RESISTOR	1/6W J 1.2M	
	R 605	GJ250082742103	CARBON RESISTOR	1/6W J 270K	
	R 606	GJ250081542103	CARBON RESISTOR	1/6W J 150K	
	R 607	GJ250082732103	CARBON RESISTOR	1/6W J 27K	
	R 609	GJ250081042103	CARBON RESISTOR	1/6W J 100K	
	R 610	GJ250081542103	CARBON RESISTOR	1/6W J 150K	
	R 612	GJ250081022103	CARBON RESISTOR	1/6W J 1K	
	R 613	GJ250081212103	CF RESISTOR	1/6W J 120	
	R 614	GJ250081002103	CARBON RESISTOR	1/6W J 10	
	R 615	GJ250081202103	C.RESISTOR	1/6W J 12	
	R 616	GJ250089102103	CARBON RESISTOR	1/6W J 91	
	R 621	GJ250083302103	CARBON RESISTOR	1/6W J 33	
	R 622	GJ250083302103	CARBON RESISTOR	1/6W J 33	
	R 623	GJ250083302103	CARBON RESISTOR	1/6W J 33	
	R 631	GJ250083312103	CARBON RESISTOR	1/6W J 330	
	R 632	GJ250081012103	CARBON RESISTOR	1/6W J 100	
	R 633	GJ250082732103	CARBON RESISTOR	1/6W J 27K	
	R 641	GJ250085632103	CARBON RESISTOR	1/6W J 56K	
	R 642	GJ250081232103	CARBON RESISTOR	1/6W J 12K	
	R 643	GJ250088222103	CARBON RESISTOR	1/6W J 8.2K	
	R 644	GJ250082232103	CARBON RESISTOR	1/6W J 22K	
	R 645	GJ250082232103	CARBON RESISTOR	1/6W J 22K	
	R 646	GJ250082222103	CARBON RESISTOR	1/6W J 2.2K	
	R 647	GJ250084722103	CARBON RESISTOR	1/6W J 4.7K	
	R 651	GJ250081022103	CARBON RESISTOR	1/6W J 1K	

△	Item	Parts number	Parts name	Remarks	Area
	R 652	GJ250081022103	CARBON RESISTOR	1/6W J 1K	
	R 653	GJ250081022103	CARBON RESISTOR	1/6W J 1K	
	R 654	GJ250081022103	CARBON RESISTOR	1/6W J 1K	
	R 659	GJ250082712103	CARBON RESISTOR	1/6W J 270	
	R 661	GJ250086832103	CF RESISTOR	1/6W J 68K	
	R 663	GJ250081242103	CARBON RESISTOR	1/6W J 120K	
	R 664	GJ250084712103	CARBON RESISTOR	1/6W J 470	
	R 666	GJ250082202103	CARBON RESISTOR	1/6W J 22	
	R 671	GJ250081022103	CARBON RESISTOR	1/6W J 1K	
	R 672	GJ250081022103	CARBON RESISTOR	1/6W J 1K	
	R 696	GJ250082222103	CARBON RESISTOR	1/6W J 2.2K	
	R 697	GJ250084742103	CARBON RESISTOR	1/6W J 470K	
	R 901	GJ250084722103	CARBON RESISTOR	1/6W J 4.7K	
	R 902	GJ250085632103	CARBON RESISTOR	1/6W J 56K	
	R 903	GJ250081012103	CARBON RESISTOR	1/6W J 100	
	R 904	GJ250088212103	CARBON RESISTOR	1/6W J 820	
	R 906	GJ250085632103	CARBON RESISTOR	1/6W J 56K	
	R 907	GJ250081022103	CARBON RESISTOR	1/6W J 1K	
	R 908	GJ250083322103	CARBON RESISTOR	1/6W J 3.3K	
	R 909	GJ250081022103	CARBON RESISTOR	1/6W J 1K	
	R 910	GJ250081042103	CARBON RESISTOR	1/6W J 100K	
	R 911	GJ250084722103	CARBON RESISTOR	1/6W J 4.7K	
	R 912	GJ250081022103	CARBON RESISTOR	1/6W J 1K	
	R 913	GJ250085622103	CARBON RESISTOR	1/6W J 5.6K	
△	R 914	QPZ0077-4R7X	RESISTOR	1/4W J 4.7 TAPE	
	R 915	GJ250081012103	CARBON RESISTOR	1/6W J 100	
	R 916	GJ250088212103	CARBON RESISTOR	1/6W J 820	
	R 917	GJ250082202103	CARBON RESISTOR	1/6W J 22	
	R 919	GJ250085632103	CARBON RESISTOR	1/6W J 56K	
	R 920	GJ250084722103	CARBON RESISTOR	1/6W J 4.7K	
	R 922	GJ250081032103	CARBON RESISTOR	1/6W J 10K	
	R 999	GJ250083312103	CARBON RESISTOR	1/6W J 330	
	RM 1	GJ250081022103	CARBON RESISTOR	1/6W J 1K	
	RM 2	GJ250086822103	CARBON RESISTOR	1/6W J 6.8K	
	RM 4	GJ250088202103	RES CF	1/6W J 82	
	RM 5	GJ250085642103	CARBON RESISTOR	1/6W J 560K	
	RM 7	GJ250086812103	CARBON RESISTOR	1/6W J 680	
	RM 8	GJ250084722103	CARBON RESISTOR	1/6W J 4.7K	
	RM 9	GJ250085632103	CARBON RESISTOR	1/6W J 56K	
	RM 10	GJ250082022103	RESISTOR	1/6W J 2K	
	S 301	MSW-17820MVD0	LEAF SWITCH		
	S 303	SK-23E01-G9	SLIDE SWITCH	SLIDE SIDE	
△	S 901	QSW0555-001	VOLTAGE SELCTOR	GJ390180032211	
	T 2	GJ123388511	IFT	7MM BLACK	
△	T 9	GJ336570420003	POWER TRANS	QQT0209-003-1	
	T 301	OH-812320	BIAS OSC COIL	GJ321000140101	
	TC 2	QAT3722-200ZM	T CAPACITOR	TRIMMER 20PF EC	
	TP 2	VMZ0015-002	POST PIN	GJ156418711	
	WR 1	GJ354003940105	WIRE	CN308 TO DECK	
	WR 2	GJ354003960205	WIRE	POWER TO BATT.	
	WR 3	GJ354003980205	WIRE	CN309 TO SPEAK.	
	WR 4	GJ354003990405	WIRE	FW301 TO POWER	
	WR 5	GJ354004000105	WIRE	CN301 TO HEAD	
	WR 6	GJ354004020105	WIRE	CN602 TO CD ME.	
	X 1	QAX0402-001	CRYSTAL	75KHZ +/-20PPM	
	X 651	QAX0369-001Z	CERA LOCK	16.9344MHZ	
	ZD 1	MTZJ3.0JB	DIODE	GJ871998307	
	ZD302	UZ4.3BSB-T2	ZENER DIODE	GJ310030014405	
	ZD903	MTZJ6.2B-T2	ZENER DIODE	GJ871992342	
	ZD904	MTZJ5.6JB	ZENER DIODE	GJ310030011305	
	ZD905	MTZJ7.5C-T2	ZENER DIODE	GJ310030015005	

■ Electrical parts list (System CPU board)

Block No. 02

△	Item	Parts number	Parts name	Remarks	Area	△	Item	Parts number	Parts name	Remarks	Area
	C 702	GJ116323691	C.CAPACITOR	24PF CH 2012 5%			R 709	GJ121608191	C.RESISTOR	22K 1/10W 5%	
	C 703	GJ116324091	C.CAPACITOR	36PF CH 2012 5%			R 710	GJ121609791	C.RESISTOR	100K 1/10W 5%	
	C 704	GJ116324091	C.CAPACITOR	36PF CH 2012 5%			R 711	GJ121608191	C.RESISTOR	22K 1/10W 5%	
	C 705	GJ116323691	C.CAPACITOR	24PF CH 2012 5%			R 712	GJ121607391	C.RESISTOR	10K 1/10W 5%	
	C 706	GJ116300991	C.CAPASISTOR	1000PF B 2012 1			R 713	GJ121607391	C.RESISTOR	10K 1/10W 5%	
	C 707	GJ116303891	C.CAPACITOR	10000PF F 2012			R 714	GJ121608791	C.RESISTOR	39K 1/10W 5%	
	C 708	GJ270112270332	E.CAPACITOR	10V M 220UF			R 715	GJ121608591	C.RESISTOR	33K 1/10W 5%	
	C 710	GJ116302191	C.CAPASISTOR	10000PF B 2012			R 716	GJ121608991	C.RESISTOR	47K 1/10W 5%	
	C 711	GJ112423391	E.CAPACITOR	16V M 10UF			R 717	GJ121608591	C.RESISTOR	33K 1/10W 5%	
	C 712	GJ112425791	E.CAPACITOR	50V M 2.2UF			R 718	GJ121607391	C.RESISTOR	10K 1/10W 5%	
	C 714	GJ116312191	C.CAPACITOR	150PF SL 2012 5			R 719	GJ121609791	C.RESISTOR	100K 1/10W 5%	
	C 716	GJ116312191	C.CAPACITOR	150PF SL 2012 5			R 720	GJ121609791	C.RESISTOR	100K 1/10W 5%	
	C 717	GJ116310191	C.CAPACITOR	22PF SL 2012 5%			R 721	GJ121605791	C.RESISTOR	2.2K 1/10W 5%	
	C 718	GJ116323791	C.CAPACITOR	27PF CH 2012 5%			R 722	GJ121609791	C.RESISTOR	100K 1/10W 5%	
	C 719	GJ116300991	C.CAPASISTOR	1000PF B 2012 1			R 723	GJ121607391	C.RESISTOR	10K 1/10W 5%	
	C 720	GJ116300991	C.CAPASISTOR	1000PF B 2012 1			R 724	GJ121605791	C.RESISTOR	2.2K 1/10W 5%	
	C 721	GJ116302191	C.CAPASISTOR	10000PF B 2012			R 725	GJ121605791	C.RESISTOR	2.2K 1/10W 5%	
	C 722	GJ116311791	C.CAPACITOR	100PF SL 2012 5			R 726	GJ121605791	C.RESISTOR	2.2K 1/10W 5%	
	C 723	GJ116311791	C.CAPACITOR	100PF SL 2012 5			R 727	GJ121605791	C.RESISTOR	2.2K 1/10W 5%	
	C 724	GJ116311791	C.CAPACITOR	100PF SL 2012 5			R 728	GJ121607391	C.RESISTOR	10K 1/10W 5%	
	C 725	GJ116311791	C.CAPACITOR	100PF SL 2012 5			R 729	GJ121608991	C.RESISTOR	47K 1/10W 5%	
	C 727	GJ112678591	E.CAPACITOR	10V M 47UF			R 730	GJ121607391	C.RESISTOR	10K 1/10W 5%	
	C 732	GJ116303891	C.CAPACITOR	10000PF F 2012			R 731	GJ121604991	C.RESISTOR	1K 1/10W 5%	
	C 738	GJ116312191	C.CAPACITOR	150PF SL 2012 5			R 732	GJ121609791	C.RESISTOR	100K 1/10W 5%	
	C 801	GJ116302191	C.CAPASISTOR	10000PF B 2012			R 733	GJ121609791	C.RESISTOR	100K 1/10W 5%	
	C 802	GJ116302191	C.CAPASISTOR	10000PF B 2012			R 734	GJ121609791	C.RESISTOR	100K 1/10W 5%	
	CN701	QGF1212F1-17	FFC/FPC CONNE	17PINS			R 735	GJ121607391	C.RESISTOR	10K 1/10W 5%	
	CN703	QGF1212F1-13	FFC/FPC CONNE	13PINS			R 737	GJ121607391	C.RESISTOR	10K 1/10W 5%	
	CN704	GJ156451711	CONNECTOR	TIP-X02P-M1			R 738	GJ121607391	C.RESISTOR	10K 1/10W 5%	
	D 702	1SS133Y	DIODE	GJ871999133			R 739	GJ121608191	C.RESISTOR	22K 1/10W 5%	
	D 703	UZ5.1BSC-T2	ZENER DIODE	GJ310030011405			R 740	GJ121607391	C.RESISTOR	10K 1/10W 5%	
	D 704	1SS133Y	DIODE	GJ871999133			R 742	GJ121605791	C.RESISTOR	2.2K 1/10W 5%	
	D 706	1SS133Y	DIODE	GJ871999133			R 746	GJ121608191	C.RESISTOR	22K 1/10W 5%	
	D 707	1SS133Y	DIODE	GJ871999133			R 748	GJ121608191	C.RESISTOR	22K 1/10W 5%	
	D 708	1SS133Y	DIODE	GJ871999133			R 749	GJ121608991	C.RESISTOR	47K 1/10W 5%	
	D 851	LT0311G-41	LED GREEN STAND	STAND BY/RED CO			R 750	GJ121607391	C.RESISTOR	10K 1/10W 5%	
	D 852	LT0321-41	ON LED RTP	ON /GREEN COLOR			R 751	GJ121607391	C.RESISTOR	10K 1/10W 5%	
	DI701	QLD0045-001	LCD	GJ373010272210			R 752	GJ121607391	C.RESISTOR	10K 1/10W 5%	
	IC701	GJ313010671223	IC	MICOM			R 753	GJ121605791	C.RESISTOR	2.2K 1/10W 5%	
	IC703	GP1U281X	IC	REMOTE SENSOR			R 754	GJ121607391	C.RESISTOR	10K 1/10W 5%	
	JS801	QSW0706-001	ROTARY ENCODER	GJ299000480002			R 755	GJ121607391	C.RESISTOR	10K 1/10W 5%	
	K 701	QQR0779-001Z	INDUCTOR	GJVQZ0048009			R 756	GJ121608191	C.RESISTOR	22K 1/10W 5%	
	K 702	QQR0779-001Z	INDUCTOR	GJVQZ0048009			R 758	GJ121605791	C.RESISTOR	2.2K 1/10W 5%	
	K 703	QQR0779-001Z	INDUCTOR	GJVQZ0048009			R 759	GJ121604991	C.RESISTOR	1K 1/10W 5%	
	L 701	3A839N	INDUCTOR	10UH K RADIAL L			R 760	GJ121604991	C.RESISTOR	1K 1/10W 5%	
	L 702	3A839N	INDUCTOR	10UH K RADIAL L			R 761	GJ121605791	C.RESISTOR	2.2K 1/10W 5%	
	PL701	QLL0051-001	LAMP	8V 105MA T3.4 (R 762	GJ121605791	C.RESISTOR	2.2K 1/10W 5%	
	Q 701	2SC2714/O/-X	TRANSISTOR	GJ312020341203			R 763	GJ121605791	C.RESISTOR	2.2K 1/10W 5%	
	Q 702	2SC2714/O/-X	TRANSISTOR	GJ312020341203			R 767	GJ121606591	C.RESISTOR	4.7K 1/10W 5%	
	Q 703	2SC2412K/R/-X	TRANSISTOR	GJ872992075			R 768	GJ121607391	C.RESISTOR	10K 1/10W 5%	
	Q 704	DTC144EKA-X	TRANSISTOR	GJ872902759			R 769	GJ121607391	C.RESISTOR	10K 1/10W 5%	
	Q 705	2SA1037AK/RS/-X	TRANSISTOR	GJ872902649			R 770	GJ121605791	C.RESISTOR	2.2K 1/10W 5%	
	Q 706	DTC143TKA-X	DIGI TRANSISTOR	GJ872902756			R 772	GJ121604991	C.RESISTOR	1K 1/10W 5%	
	Q 709	2SC2412K/R/-X	TRANSISTOR	GJ872992075			R 773	GJ121607391	C.RESISTOR	10K 1/10W 5%	
	Q 851	2SA1037AK/RS/-X	TRANSISTOR	GJ872902649			R 774	GJ121604991	C.RESISTOR	1K 1/10W 5%	
	Q 852	2SC2412K/R/-X	TRANSISTOR	GJ872992075			R 775	GJ121604991	C.RESISTOR	1K 1/10W 5%	
	R 701	GJ121604991	C.RESISTOR	1K 1/10W 5%			R 776	GJ121604991	C.RESISTOR	1K 1/10W 5%	
	R 702	GJ121607191	C.RESISTOR	8.2K 1/10W 5%			R 777	GJ121604991	C.RESISTOR	1K 1/10W 5%	
	R 703	GJ121607191	C.RESISTOR	8.2K 1/10W 5%			R 778	GJ121604991	C.RESISTOR	1K 1/10W 5%	
	R 704	GJ121604991	C.RESISTOR	1K 1/10W 5%			R 779	GJ121604991	C.RESISTOR	1K 1/10W 5%	
	R 706	GJ121607391	C.RESISTOR	10K 1/10W 5%			R 785	GJ121607191	C.RESISTOR	8.2K 1/10W 5%	
	R 707	GJ121607391	C.RESISTOR	10K 1/10W 5%			R 789	GJ121607391	C.RESISTOR	10K 1/10W 5%	
	R 708	GJ121607391	C.RESISTOR	10K 1/10W 5%			R 790	GJ121606591	C.RESISTOR	4.7K 1/10W 5%	

■ Electrical parts list (System CPU board)

Block No. 02

△	Item	Parts number	Parts name	Remarks	Area
	R 796	GJ121609791	C.RESISTOR	100K 1/10W 5%	
	R 797	GJ121606591	C.RESISTOR	4.7K 1/10W 5%	
	R 851	GJ121605391	C.RESISTOR	1.5K 1/10W 5%	
	R 852	GJ121605591	C.RESISTOR	1.8K 1/10W 5%	
	R 853	GJ121605991	C.RESISTOR	2.7K 1/10W 5%	
	R 854	GJ121606391	C.RESISTOR	3.9K 1/10W 5%	
	R 855	GJ121606991	C.RESISTOR	6.8K 1/10W 5%	
	R 856	GJ121607591	C.RESISTOR	12K 1/10W 5%	
	R 857	GJ121608791	C.RESISTOR	39K 1/10W 5%	
	R 858	GJ121606791	C.RESISTOR	5.6K 1/10W 5%	
	R 859	GJ121607991	C.RESISTOR	18K 1/10W 5%	
	R 860	GJ121603791	C.RESISTOR	330 1/10W 5%	
	R 861	GJ121604591	C.RESISTOR	680 1/10W 5%	
	R 862	GJ121607391	C.RESISTOR	10K 1/10W 5%	
	R 863	GJ121607391	C.RESISTOR	10K 1/10W 5%	
	R 864	GJ121606791	C.RESISTOR	5.6K 1/10W 5%	
	R 865	GJ121605791	C.RESISTOR	2.2K 1/10W 5%	
	S 851	QSW0707-001Z	TACT SWITCH	GJ390110171110	
	S 852	QSW0707-001Z	TACT SWITCH	GJ390110171110	
	S 853	QSW0707-001Z	TACT SWITCH	GJ390110171110	
	S 854	QSW0707-001Z	TACT SWITCH	GJ390110171110	
	S 855	QSW0707-001Z	TACT SWITCH	GJ390110171110	
	S 856	QSW0707-001Z	TACT SWITCH	GJ390110171110	
	S 857	QSW0707-001Z	TACT SWITCH	GJ390110171110	
	S 858	QSW0707-001Z	TACT SWITCH	GJ390110171110	
	S 865	QSW0707-001Z	TACT SWITCH	GJ390110171110	
	S 866	PS-22F23-A3.3NS	PUSH SWITCH	GJ390030152203	
	WR701	GJ354004030205	WIRE	CN704 TO CD DO.	
	X 701	QAX0410-001Z	CERA LOCK	MIZCRHF 4.19MHZ	
	X 702	QAX0401-001	CRYSTAL	32.768KHZ	

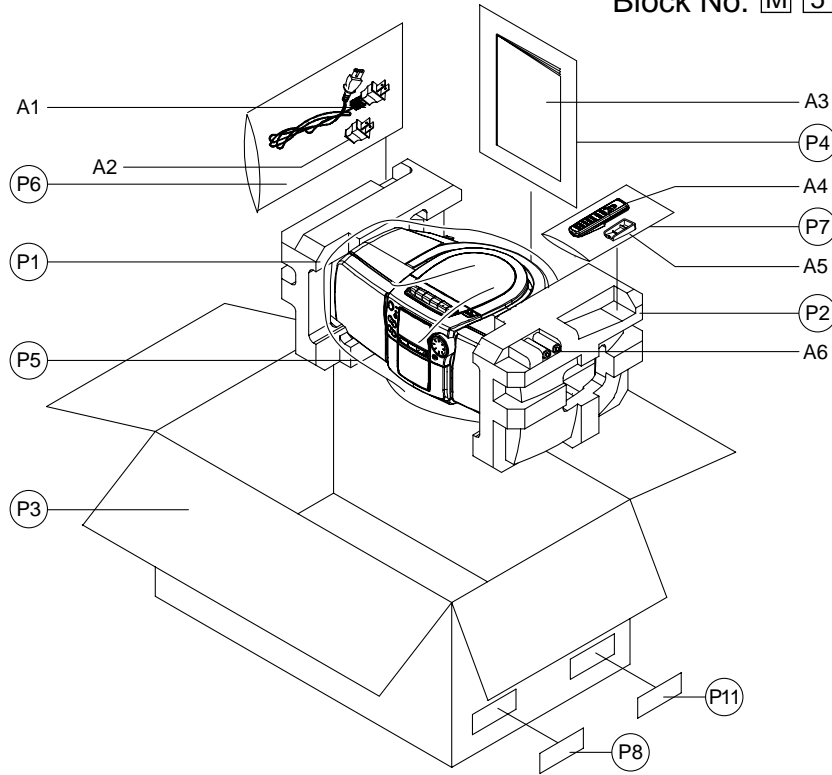
Packing materials and accessories parts list

Block No.

M	4	M	M
---	---	---	---

Block No.

M	5	M	M
---	---	---	---



■ Packing parts list

Block No. M4MM

△	Item	Parts number	Parts name	Q'ty	Description	Area
	P 1	GJ560340040101	CUSHION (L)	1		
	P 2	GJ560340050101	CUSHION (R)	1		
	P 3	GJ560340230101	CARTON WALL	1		
	P 4	QPA02503503P	POLY BAG	1	250X350	
	P 5	GJ740456520300	POLY BAG PE	1	450X650	
	P 6	QPA01202505	POLY BAG	1	120X250	
	P 7	GJ740082550400	POLY BAG	1		
	P 8	LV30189-001A	CARTON LABEL	1		
	P 11	GJ772006620101	UY LABEL	1		UY
		GJ772007570101	UT LABEL	1		UT

■ Accessories parts list

Block No. M5MM

△	Item	Parts number	Parts name	Q'ty	Description	Area
△	A 1	QMPS050-183-JC	POWER CORD	1		UY
△		QMP7350-150J5	POWER CORD	1		UT,UX
△		QMP39F0-183JE	POWER CORD	1		U,US
△	A 2	QAM0060-001	SIEMENS PLUG	1		U,US
△		ENZ2203-001	SIEMENS PLUG	1		UT,UX
	A 3	GJ773012150401	INS. MANUAL	1	ARA	UX
		GJ773012150301	INS. MANUAL	1	ENG SPA CHI(TAIWAN)	U,US,UT,UX,UY
	A 4	GJA1002023001C	REMOCON UNIT	1		U,US,UT,UY
		GJA1002021001C	REMOCON UNIT	1		UX
	A 5	GJ460340320101	BATTERY COVER	1	FOR REMOTE CONT.	
	A 6	-----	BATTERY	2		